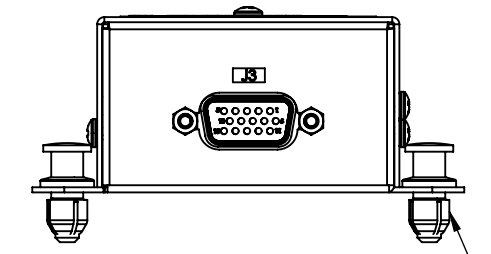
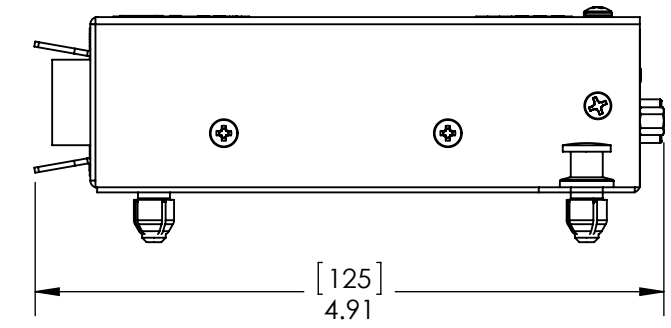
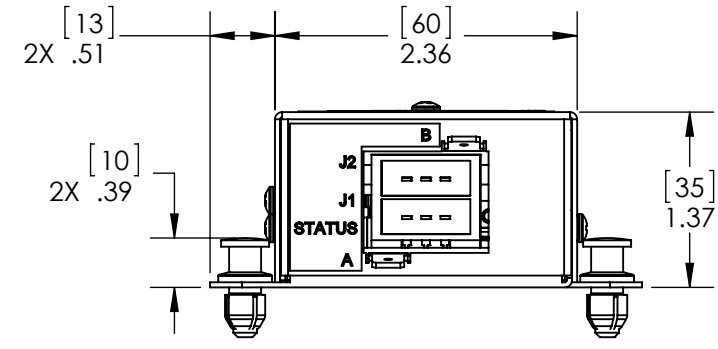
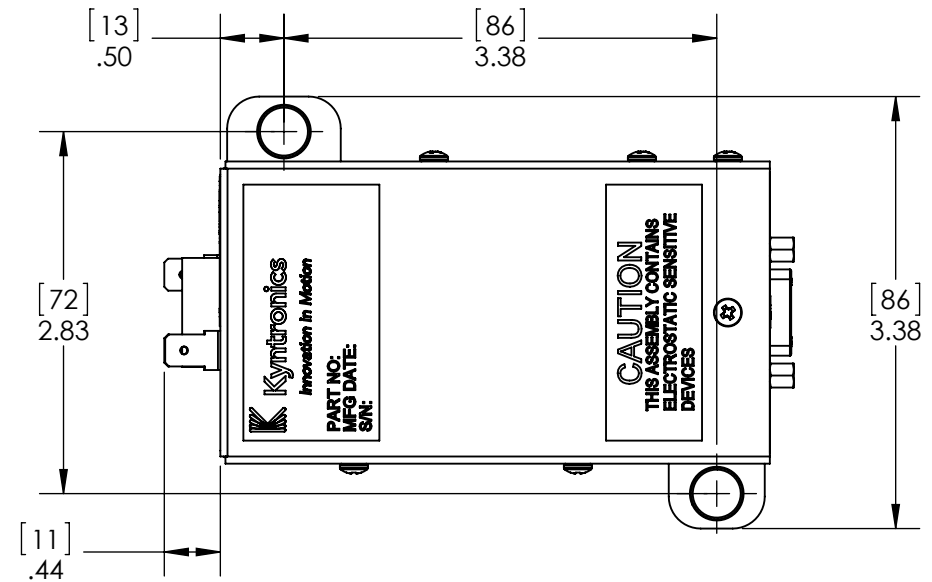
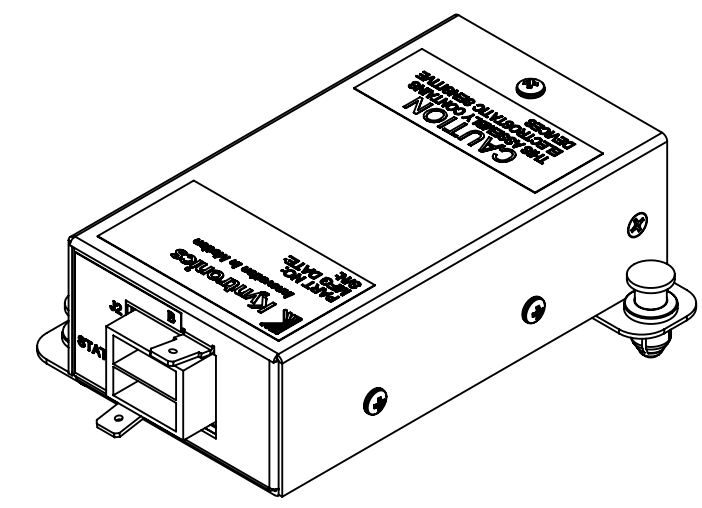


NOTES:

1. THE ACM CONTAINING BUILT IN CONTROLS TO BE USED IN A POWERLINE COMMUNICATION NETWORK ARCHITECTURE.
2. FUNCTIONALITY:
 - A. UNIT RECEIVES POWER AND POWERLINE COMMUNICATION DATA THROUGH A 2-WIRE NETWORK SYSTEM. IT CONTAINS SOFTWARE TO COMMUNICATE AND CONTROL OTHER UNITS.
3. WEIGHT: 0.5 lbs MAX.
4. MATERIAL:
 - A. ENCLOSURE: 5052-H32, 0.040" AI QQ-A-250/8. CORROSION PREVENTIVE FINISH
5. CONNECTOR INFORMATION:
 - A. INPUT/OUTPUT CONNECTOR COMBO P/N (J1, J2): JST/S068-F31MK-GGXYR (LF) (AU).
 - B. J1 MATING CONNECTOR/CONTACT: JST - F31FSS03V-KX/SF3F-41GF-P2.0
 - C. J2 MATING CONNECTOR/CONTACT: JST - F31FSS03V-KY/SF3F-41GF-P2.0
 - D. J3 MATING CONNECTOR: CONEC, 163X10169X OR EQUIVALENT.
 - E. TAB A AND B MATING CONNECTOR: TYCO 640905-1 OR EQUIVALENT.
6. ELECTRICAL CHARACTERISTICS:
 - A. INPUT VOLTAGE AT THE ACM INPUT CONNECTOR:
 1. MAX VOLTAGE: 33VDC.
 2. MIN VOLTAGE: 24VDC.
7. TEMPERATURE RANGE:
 - A. OPERATING RANGE: -15C TO +55C.
 - B. SURVIVING/STORAGE: -55C TO +85C.
8. STATUS LED COLOR INDICATION
 - A. GREEN: GOOD OPERATING CONDITION
 - B. AMBER: NOT COMMUNICATING ON POWERLINE COMMUNICATION.
 - C. RED: UNIT NOT GETTING SUFFICIENT POWER OR FAILURE WITH INTERNAL ELECTRONICS.
9. INSTALLATION HARDWARE:
 - A. NYLATCH PANEL FASTENERS PLUNGER: SOUTHCO NY-5P-52-4-50.
 - B. NYLATCH PANEL FASTENERS GROMMET: SOUTHCO NY-5G-51-20.

REVISIONS			
REV.	DESCRIPTION	DATE	APPROVED
0	ISSUED	11/18/2016	MEA



J3 CONNECTOR		
PIN NUMBER	MAX CURRENT PER PIN	FUNCTIONALITY DESCRIPTION
1	5A	MOTOR PHASE A OUTPUT, 28V COMMUTATED, DUTY CYCLES APPLY
2	5A	MOTOR PHASE B OUTPUT, 28V COMMUTATED, DUTY CYCLES APPLY
3	5A	MOTOR PHASE C OUTPUT, 28V COMMUTATED, DUTY CYCLES APPLY
4	0.5A	BRAKE SUPPLY OUTPUT, 28V SWITCHED
5	0.5A	BRAKE OUTPUT RETURN, 0V
6	50mA	POSITION SENSOR POWER OUTPUT, 3.3VDC
7	50mA	POSITION SENSOR OUTPUT RETURN, 0VDC
8	1mA	POSITION SENSOR INPUT, 0-3.3V FROM PIN 6, 100K PULL-DOWN TO PIN 7
9	40mA	HALL SENSOR POWER OUTPUT, 5VDC
10	40mA	HALL SENSOR OUTPUT RETURN, 0VDC
11	5mA	HALL SENSOR A INPUT, 5VDC, 10K PULL-UP TO PIN 9
12	5mA	HALL SENSOR B INPUT, 5VDC, 10K PULL-UP TO PIN 9
13	5mA	HALL SENSOR C INPUT, 5VDC, 10K PULL-UP TO PIN 9
14	15mA	MOTOR CURRENT LIMIT INPUT, 28VDC OPEN CIRCUIT, UNCONNECTED FOR HIGH, JUMPER TO PIN 15 FOR LOW
15	15mA	MOTOR CURRENT LIMIT INPUT RETURN, 0VDC

PROPRIETARY AND CONFIDENTIAL THE INFORMATION CONTAINED IN THIS DRAWING IS THE SOLE PROPERTY OF KYNTRONICS LLC. ANY REPRODUCTION IN PART OR AS A WHOLE WITHOUT THE WRITTEN PERMISSION OF KYNTRONICS LLC. PROHIBITED.	UNLESS OTHERWISE SPECIFIED:		 34700 LAKELAND BOULEVARD EASTLAKE, OHIO 44095-5223	DRAWN BY:	NAME	DATE	DESC: ACM		
	TOLERANCES	SURFACE FINISH		CHECKED BY:	MEAN	11/18/16			
	.XX ±.010 .XXX ±.005 .XXXX ±.0015 ANGLES ±30°	125/	APPVD. BY:	MEAN	11/18/16	SIZE		DWG. NO.	REV
	EDGE BREAKS & RADII	CONCENTRICITY	INTERPRET GEOMETRIC TOLERANCING PER: ANSI Y14.5M	CAGE CODE	1TJ05	B		EDASM-00290	0
EXTERIOR: .020 MAX, X 45° INTERIOR: .020 R. MAX.	I.D./O.D. EACH END: .005 T.I.R. END TO END: .010 T.I.R.	DO NOT SCALE DRAWING	THIRD ANGLE PROJECTION	SCALE: 2:3	WEIGHT:	SHEET 1 OF 1			