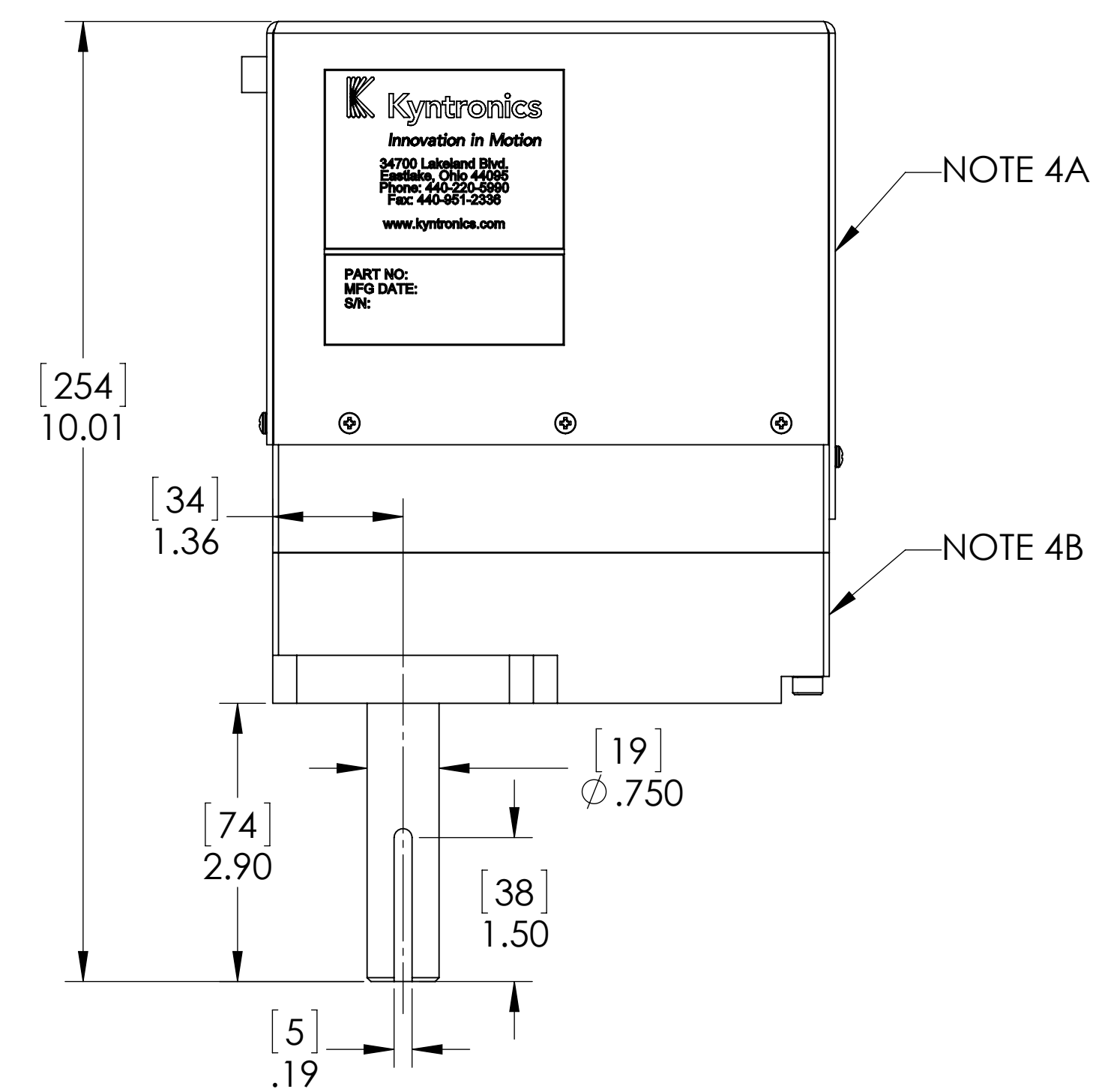
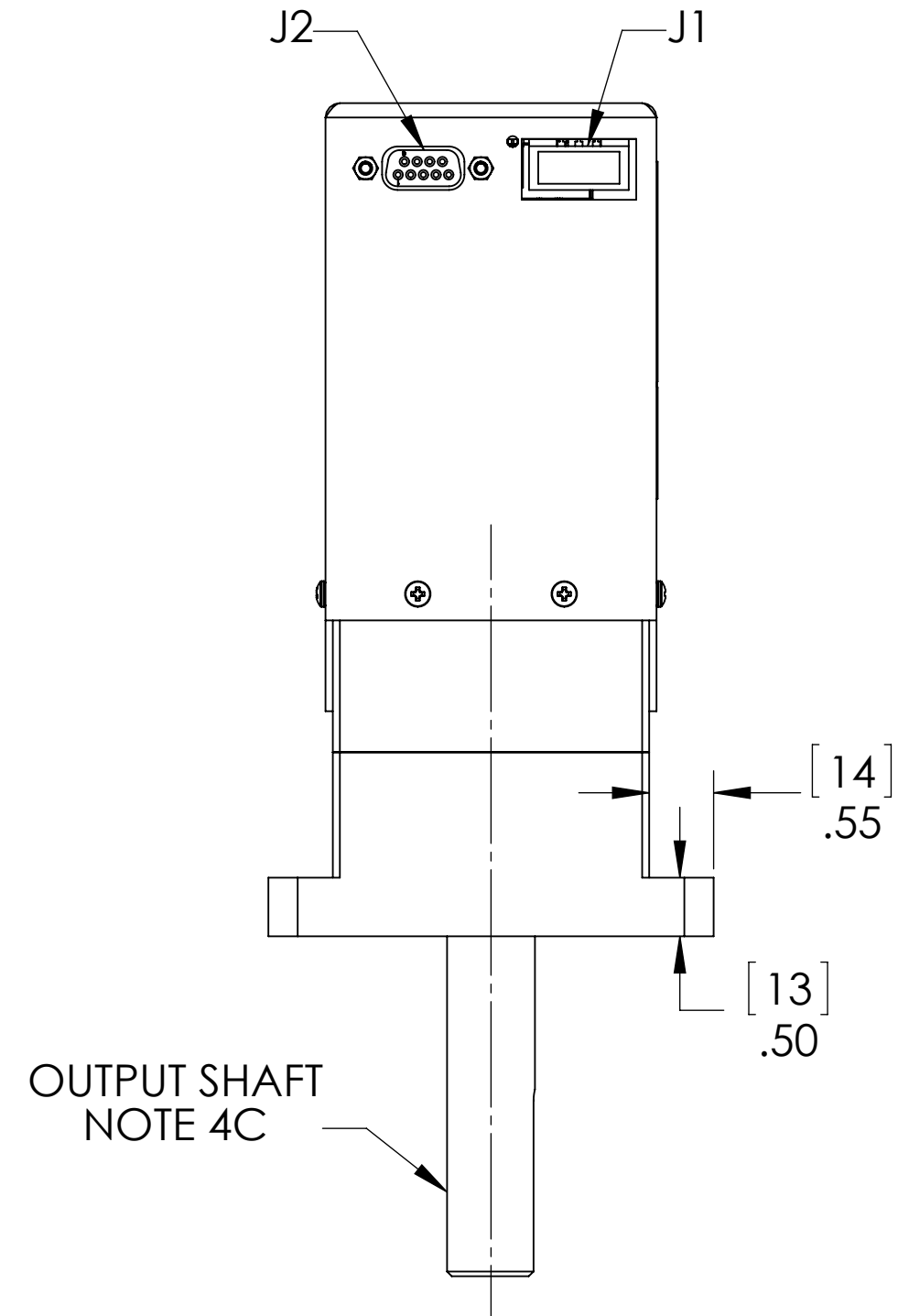
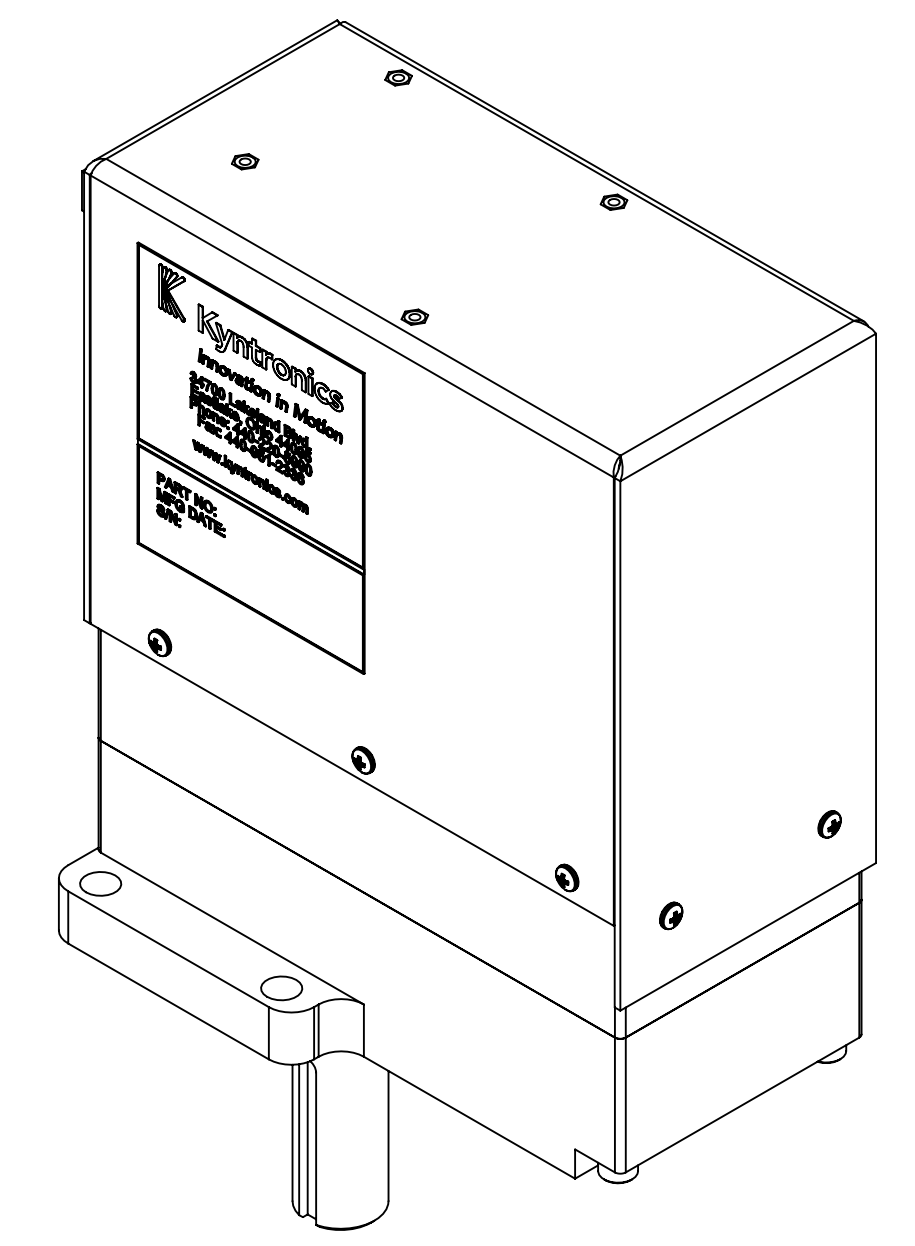
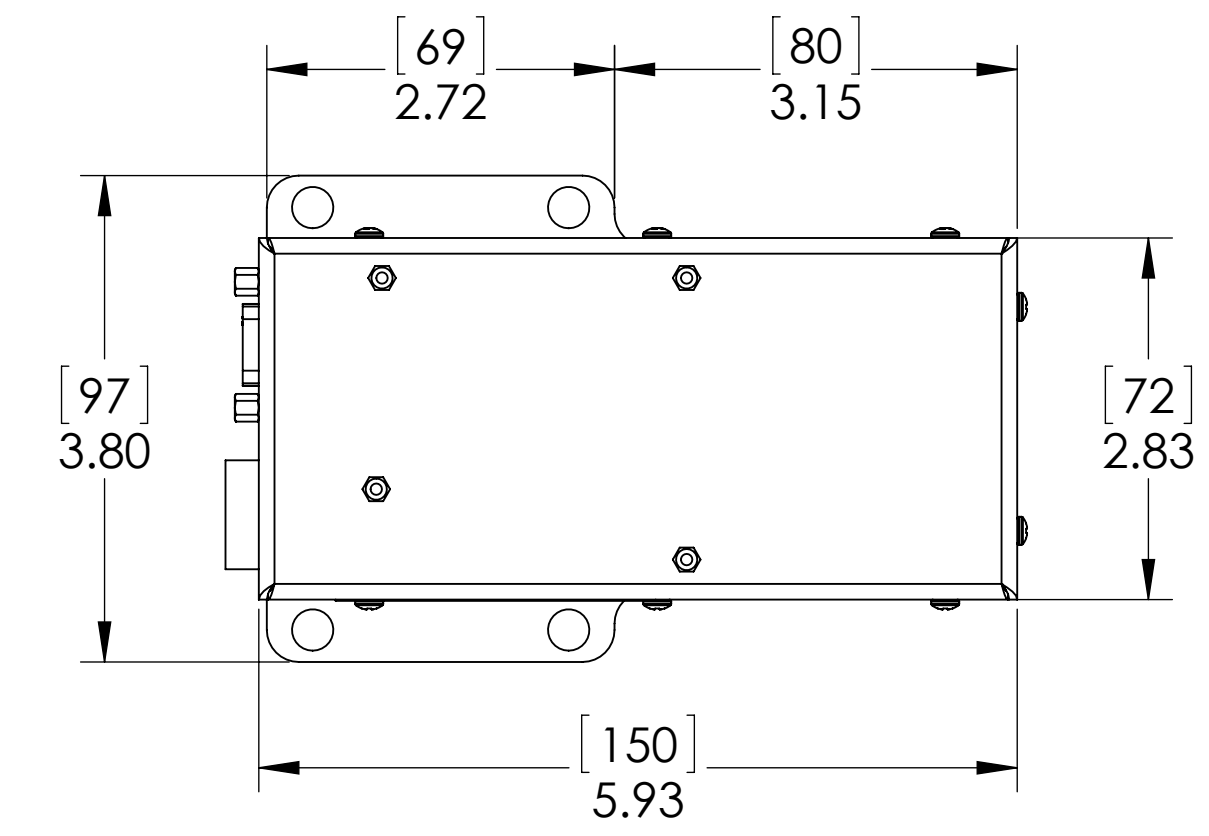


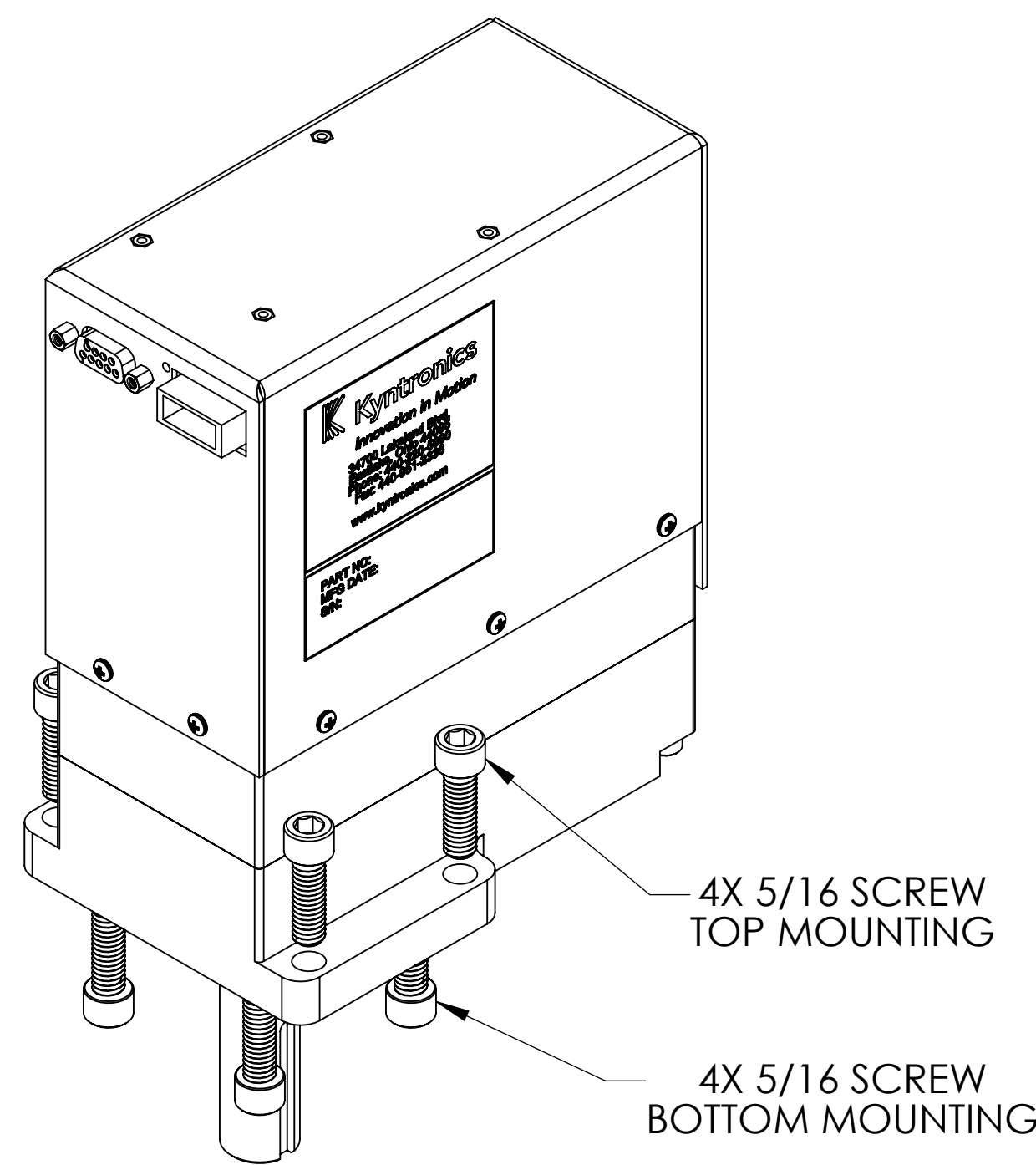
NOTES:

1. ELECTROMECHANICAL ACTUATOR CONTAINING BUILT IN CONTROLS.
2. COMMUNICATION:
 - A. J1, 2 WIRE POWERLINE COMMUNICATION
 - B. J2, MODBUS RTU
3. WEIGHT: 6 lbs MAX.
4. MATERIAL:
 - A. ENCLOSURE: 5052-H32, 0.063" AL QQ-A-250/8, CORROSION PREVENTIVE FINISH
 - B. BODY: 6061-T6 ALUMINUM, CORROSION PREVENTIVE FINISH.
 - C. SHAFT: 17-4 PH STAINLESS STEEL.
5. CONNECTOR INFORMATION:
 - A. J1, MATING CONNECTOR: JST/F32FSS-02V-KX, SOCKET CONTACT (JST/SF3F-41T-P2.0) INCLUDED IN KITS.
 - B. J2, D-SHELL: ALPHA P/N 1737C OR SIMILAR.
6. ELECTRICAL CHARACTERISTICS:
 - A. INPUT VOLTAGE AT THE ACTUATOR INPUT CONNECTOR:
 1. MAX VOLTAGE: 33VDC
 2. MIN VOLTAGE: 24VDC
7. MECHANICAL CHARACTERISTICS:
 - A. CONTINUOUS TORQUE: 250 IN-LBS.
 - B. MAX TORQUE: 500 LBS.
 - C. ACTUATOR SPEED AT MAX TORQUE: 20 RPM.
8. TEMPERATURE RANGE:
 - A. OPERATING RANGE: -15C TO +55C.
 - B. SURVIVING/STORAGE: -55C TO +85C.
9. STATUS LED COLOR INDICATION
 - A. GREEN: GOOD OPERATING CONDITION
 - B. AMBER: NOT COMMUNICATING ON POWERLINE COMMUNICATION.
 - C. RED: UNIT NOT GETTING SUFFICIENT POWER OR FAILURE WITH INTERNAL ELECTRONICS.
10. ABSOLUTE POSITION CONTROL.

| REVISIONS | | | |
|-----------|-------------|------------|----------|
| REV. | DESCRIPTION | DATE | APPROVED |
| 0 | ISSUED | 11/18/2016 | MEA |



STANDARD MOUNTING

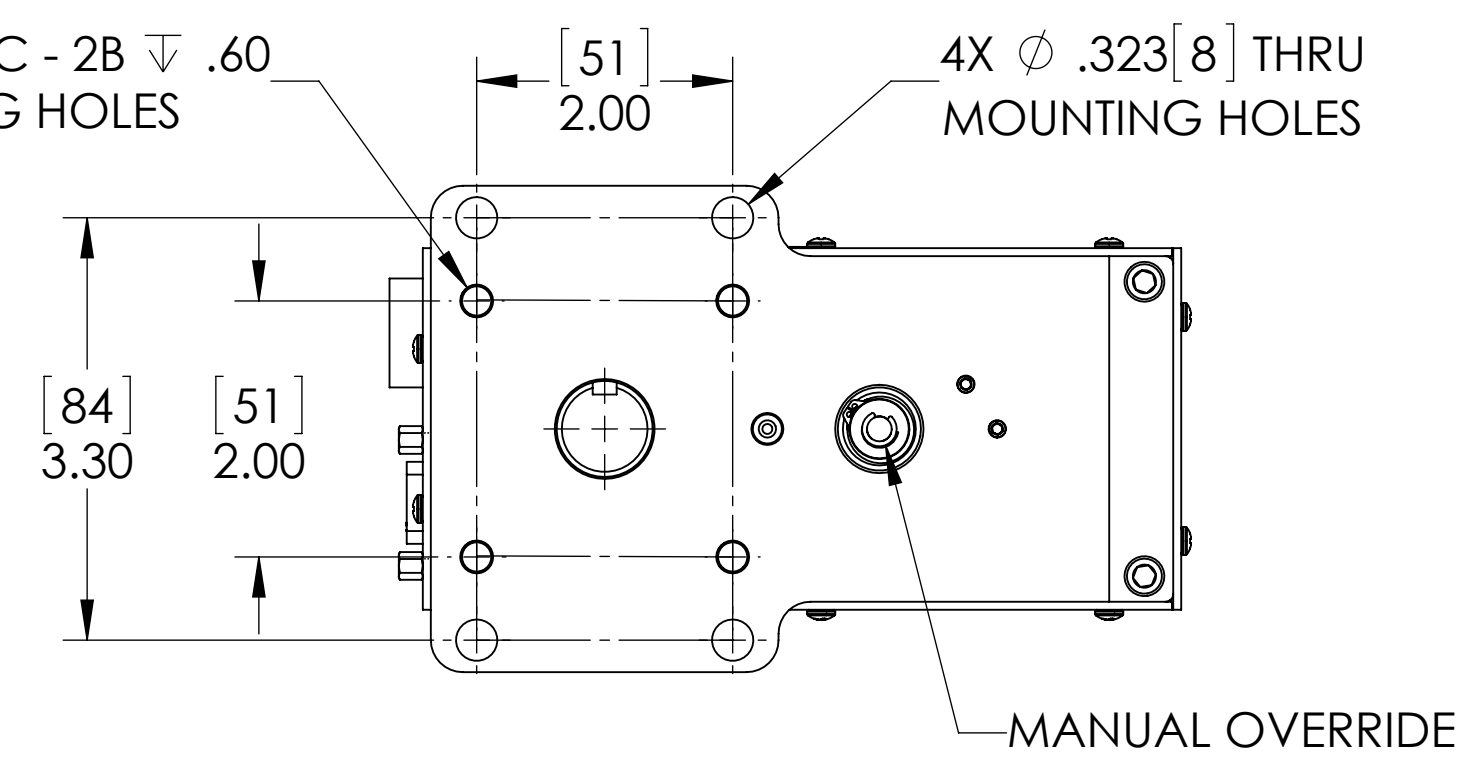


4X 5/16 SCREW TOP MOUNTING

4X 5/16 SCREW BOTTOM MOUNTING

4X 5/16-18 UNC - 2B ∇ .60 MOUNTING HOLES

4X ϕ .323[8] THRU MOUNTING HOLES



PROPRIETARY AND CONFIDENTIAL

THE INFORMATION CONTAINED IN THIS DRAWING IS THE SOLE PROPERTY OF KYNTRONICS LLC. ANY REPRODUCTION IN PART OR AS A WHOLE WITHOUT THE WRITTEN PERMISSION OF KYNTRONICS LLC. IS PROHIBITED.

| UNLESS OTHERWISE SPECIFIED: | |
|--|--|
| TOLERANCES | SURFACE FINISH |
| .XX \pm .010 .XXX \pm .005 .XXXX \pm .0015 ANGLES \pm 30' | 125 ∇ |
| EDGE BREAKS & RADII | CONCENTRICITY |
| EXTERIOR: .020 MAX. X 45° INTERIOR: .020 R. MAX. | I.D./O.D. EACH END: .005 T.I.R. END TO END: .010 T.I.R. |

Kyntronics
34700 LAKELAND BOULEVARD
EASTLAKE, OHIO 44095-5223

MATERIAL: NOTED

FINISH: NOTED

DO NOT SCALE DRAWING

| NAME | DATE |
|-----------------|----------|
| DRAWN BY: JMV | 10/13/16 |
| CHECKED BY: MEA | 11/18/16 |
| APPVD. BY: MEA | 11/18/16 |

INTERPRET GEOMETRIC TOLERANCING PER: ANSI Y14.5M
DIMENSIONS IN INCHES
THIRD ANGLE PROJECTION

| DESC: | | SIZE | DWG. NO. | REV |
|-------------------------------|---------|--------------|-------------|-----|
| EMA 0500-R ROTARY ACTUATOR | | D | EDASM-00285 | 0 |
| SCALE: 1:2 | WEIGHT: | SHEET 1 OF 1 | | |