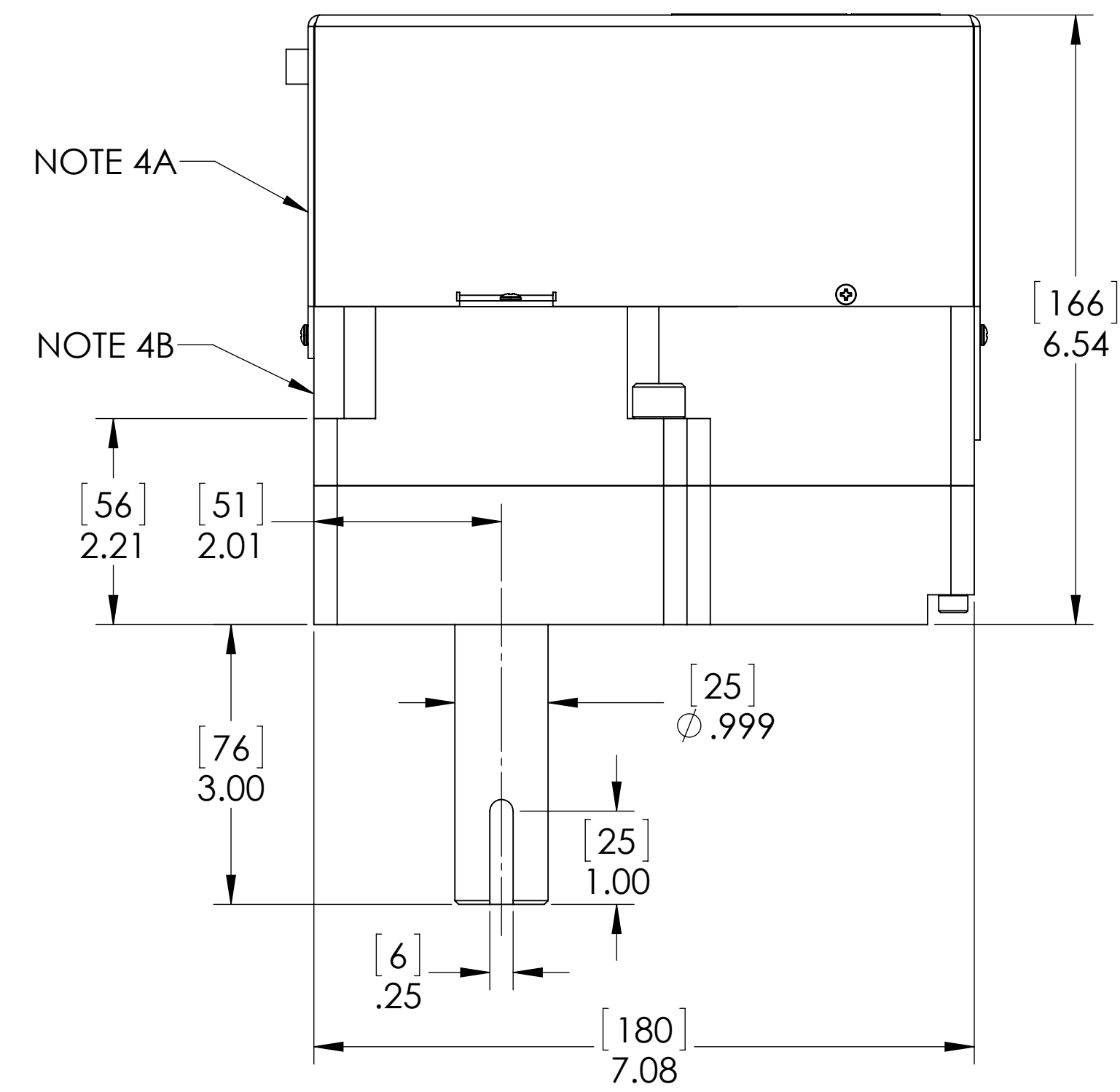
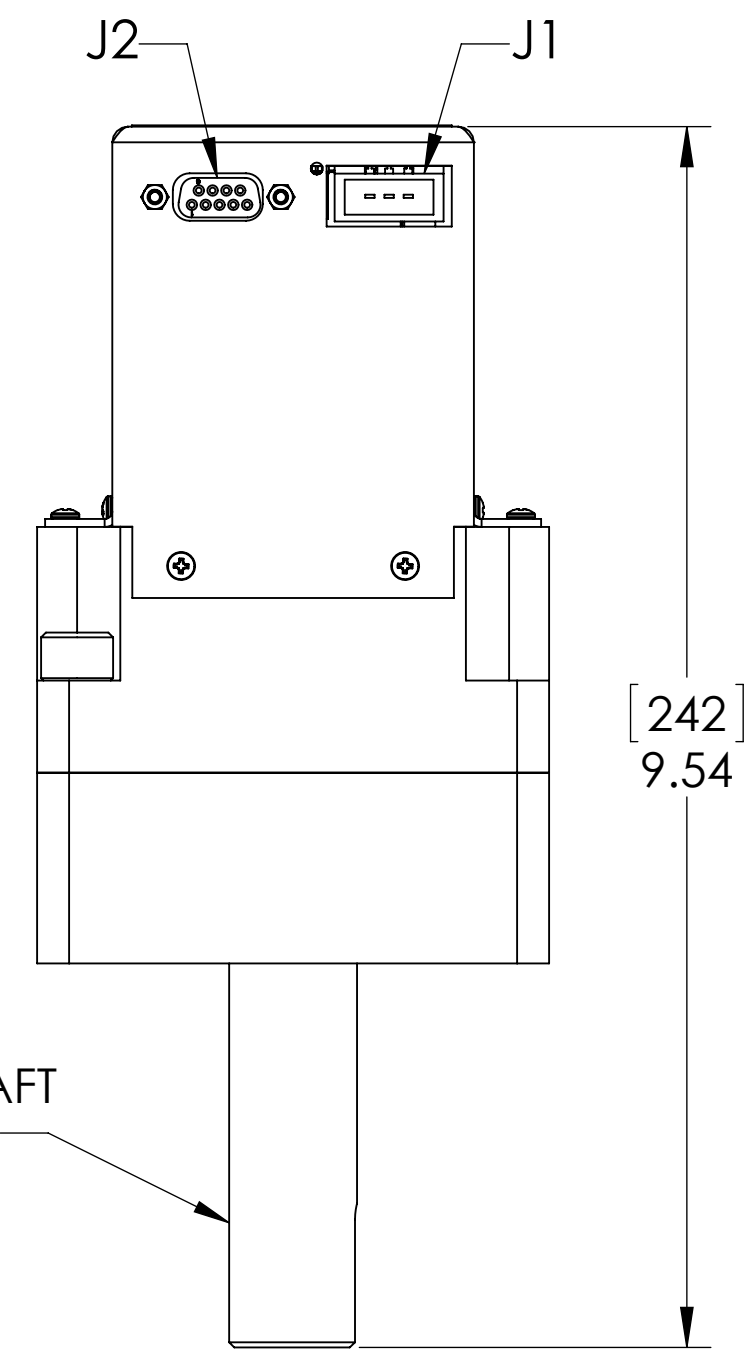
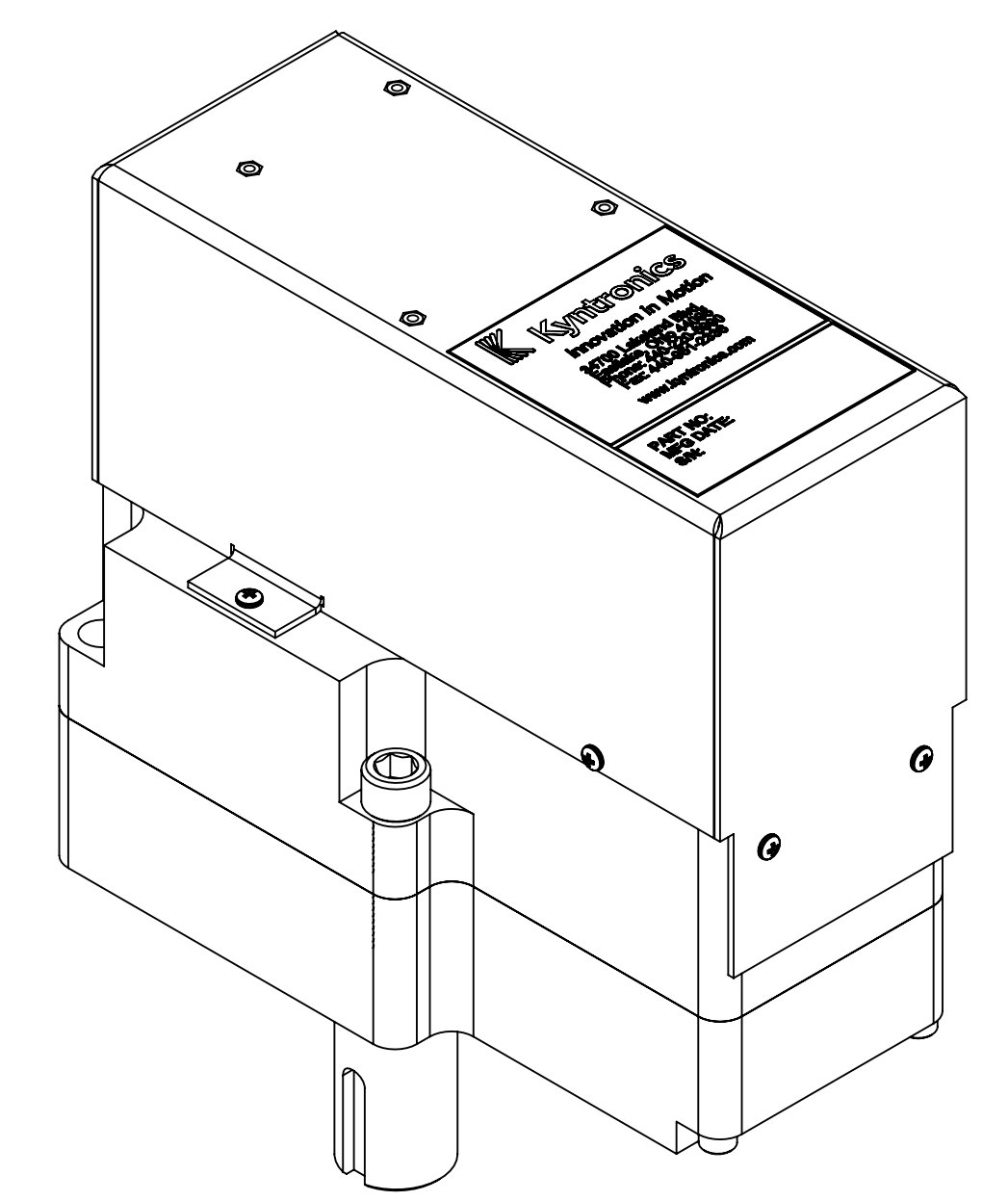
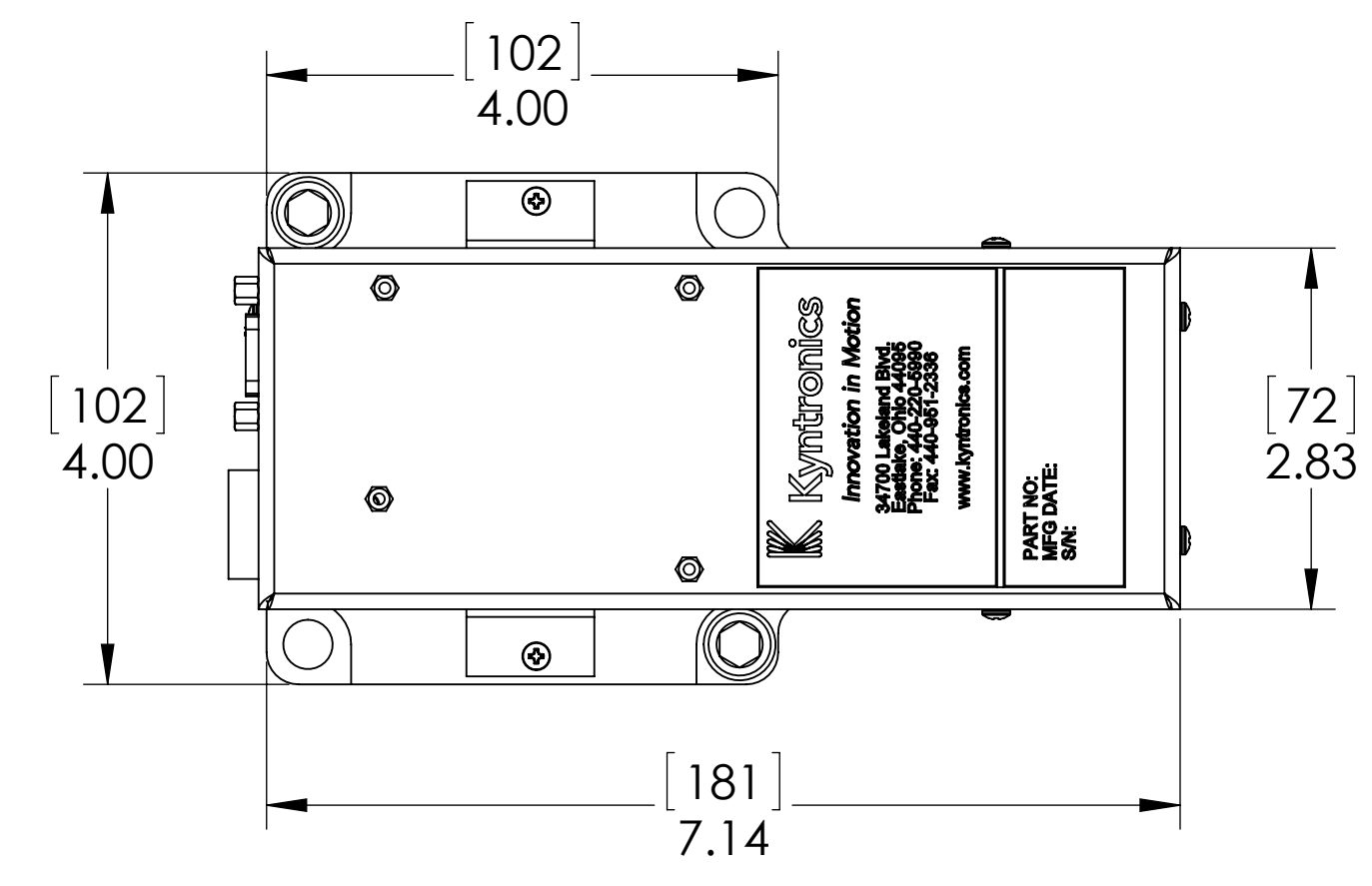


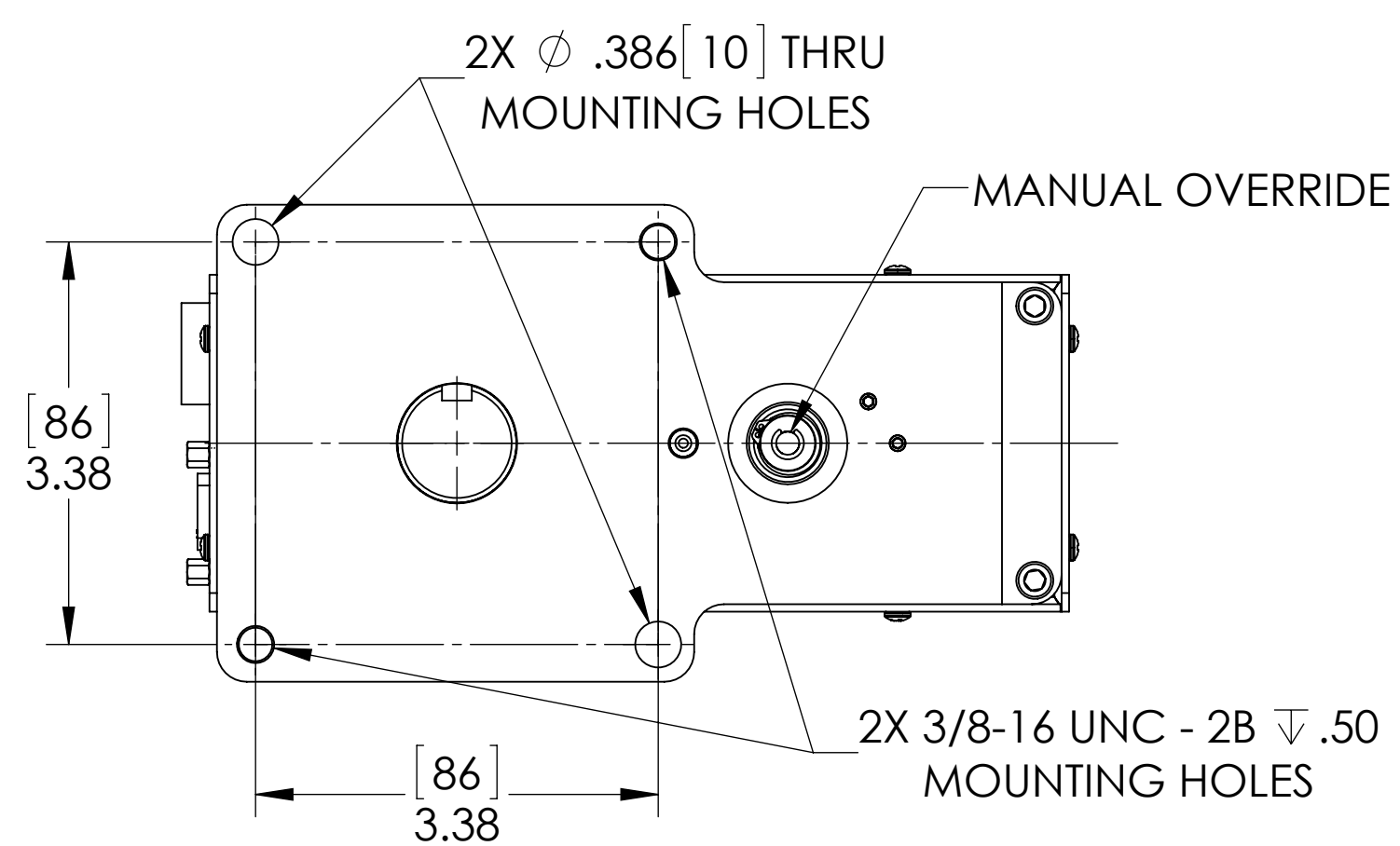
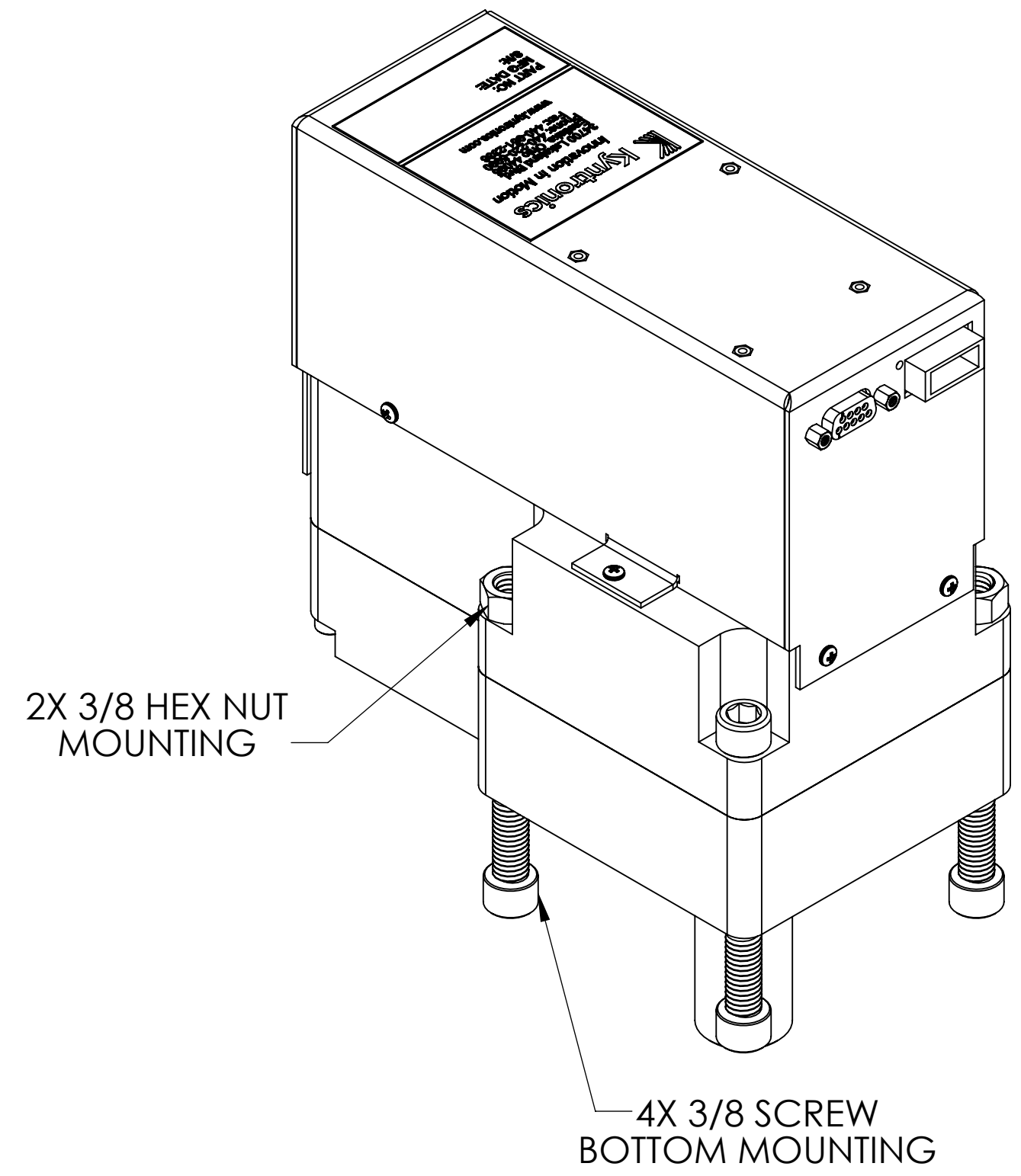
NOTES:

1. ELECTROMECHANICAL ACTUATOR CONTAINING BUILT IN CONTROLS.
2. COMMUNICATION:
 - A. J1, 2 WIRE POWERLINE COMMUNICATION
 - B. J2, MODBUS RTU
3. WEIGHT: 10 lbs MAX.
4. MATERIAL:
 - A. ENCLOSURE: 5052-H32 0.040" AI QQ-A-250/8. CORROSION PREVENTIVE FINISH
 - B. BODY: 6061 ALUMINUM. CORROSION PREVENTIVE FINISH.
 - C. SHAFT: 17-4 PH STAINLESS STEEL.
5. CONNECTOR INFORMATION:
 - A. J1, MATING CONNECTOR: JST/F32FSS-02V-KX, SOCKET CONTACT (JST/SF3F-41T-P2.0) INCLUDED IN KITS.
 - B. J2, D-SHELL: ALPHA P/N 1737C OR SIMILAR.
6. ELECTRICAL CHARACTERISTICS:
 - A. INPUT VOLTAGE AT THE ACTUATOR INPUT CONNECTOR:
 1. MAX VOLTAGE: 33VDC
 2. MIN VOLTAGE: 24VDC
7. MECHANICAL CHARACTERISTICS:
 - A. CONTINUOUS TORQUE: 650 IN-LBS.
 - B. MAX TORQUE: 1300 IN-LBS.
 - C. ACTUATOR SPEED AT MAX TORQUE: 9 RPM.
8. TEMPERATURE RANGE:
 - A. OPERATING RANGE: -15C TO +55C.
 - B. SURVIVING/STORAGE: -55C TO +85C.
9. STATUS LED COLOR INDICATION
 - A. GREEN: GOOD OPERATING CONDITION
 - B. AMBER: NOT COMMUNICATING ON POWERLINE COMMUNICATION.
 - C. RED: UNIT NOT GETTING SUFFICIENT POWER OR FAILURE WITH INTERNAL ELECTRONICS.
10. ABSOLUTE POSITION CONTROL.

REVISIONS			
REV.	DESCRIPTION	DATE	APPROVED
0	ISSUED	11/18/2016	MEA



STANDARD MOUNTING



PROPRIETARY AND CONFIDENTIAL THE INFORMATION CONTAINED IN THIS DRAWING IS THE SOLE PROPERTY OF KYNTRONICS LLC. ANY REPRODUCTION IN PART OR AS A WHOLE WITHOUT THE WRITTEN PERMISSION OF KYNTRONICS LLC. PROHIBITED.	UNLESS OTHERWISE SPECIFIED:		 34700 LAKELAND BOULEVARD EASTLAKE, OHIO 44095-5223 MATERIAL: NOTED	DRAWN BY:	NAME	DATE	DESC: EMA 1300-R ROTARY ACTUATOR	
	TOLERANCES	SURFACE FINISH		CHECKED BY:	MEV	11/18/16		
	EDGE BREAKS & RADII	CONCENTRICITY	APPVD. BY:	MEV	11/18/16	SIZE: D		DWG. NO. EDASM-00286
	EXTERIOR: .020 MAX. X 45° INTERIOR: .020 R. MAX.	I.D./O.D. EACH END: .005 T.I.R. END TO END: .010 T.I.R.	DO NOT SCALE DRAWING	INTERPRET GEOMETRIC TOLERANCING PER: ANSI Y14.5M DIMENSIONS IN INCHES THIRD ANGLE PROJECTION	CAGE CODE: 1TJ05	REV: 0		
				SCALE: 2:3	WEIGHT:	SHEET 1 OF 1		