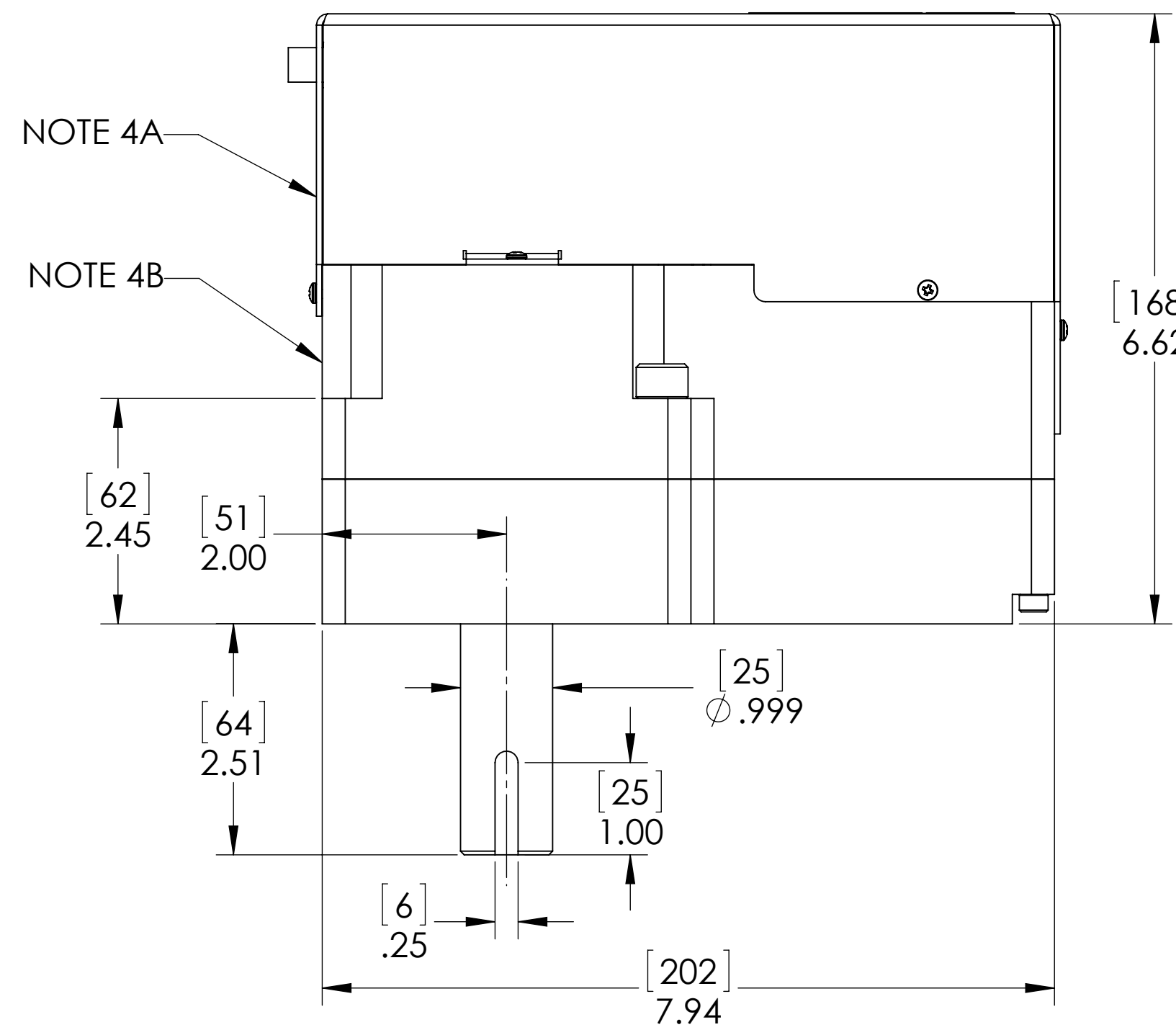
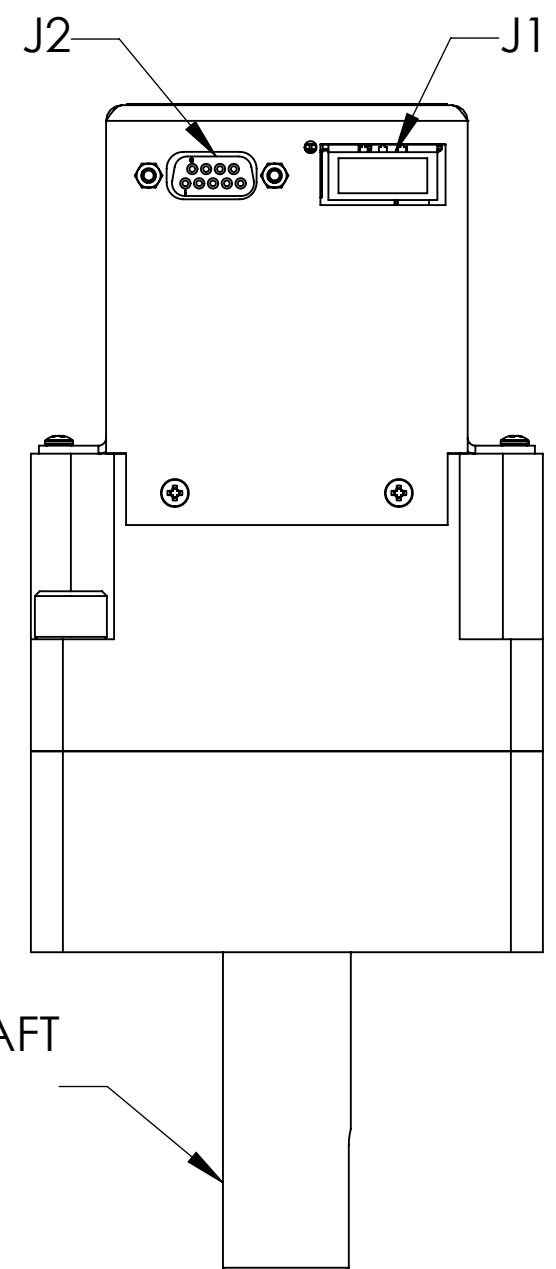
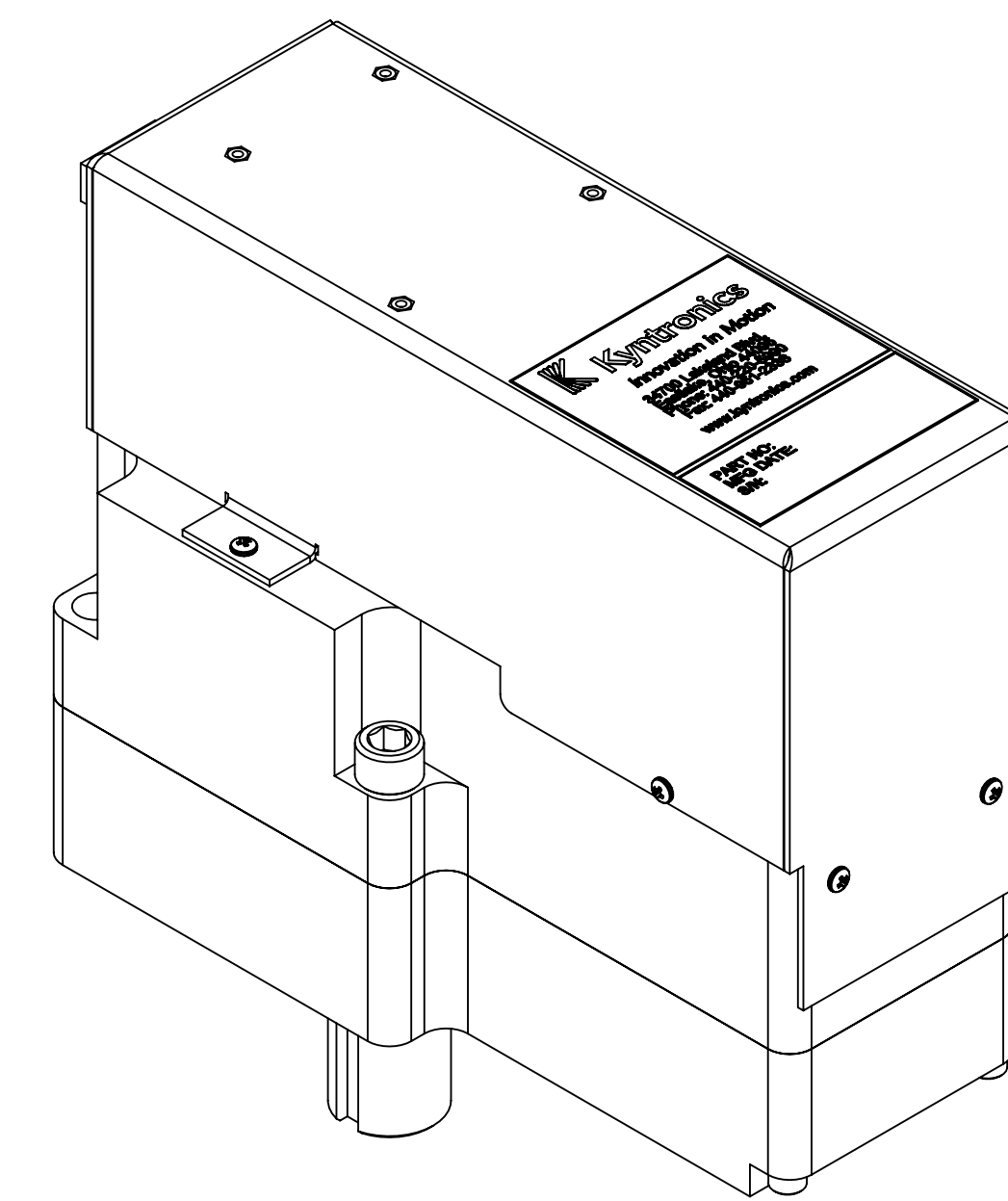
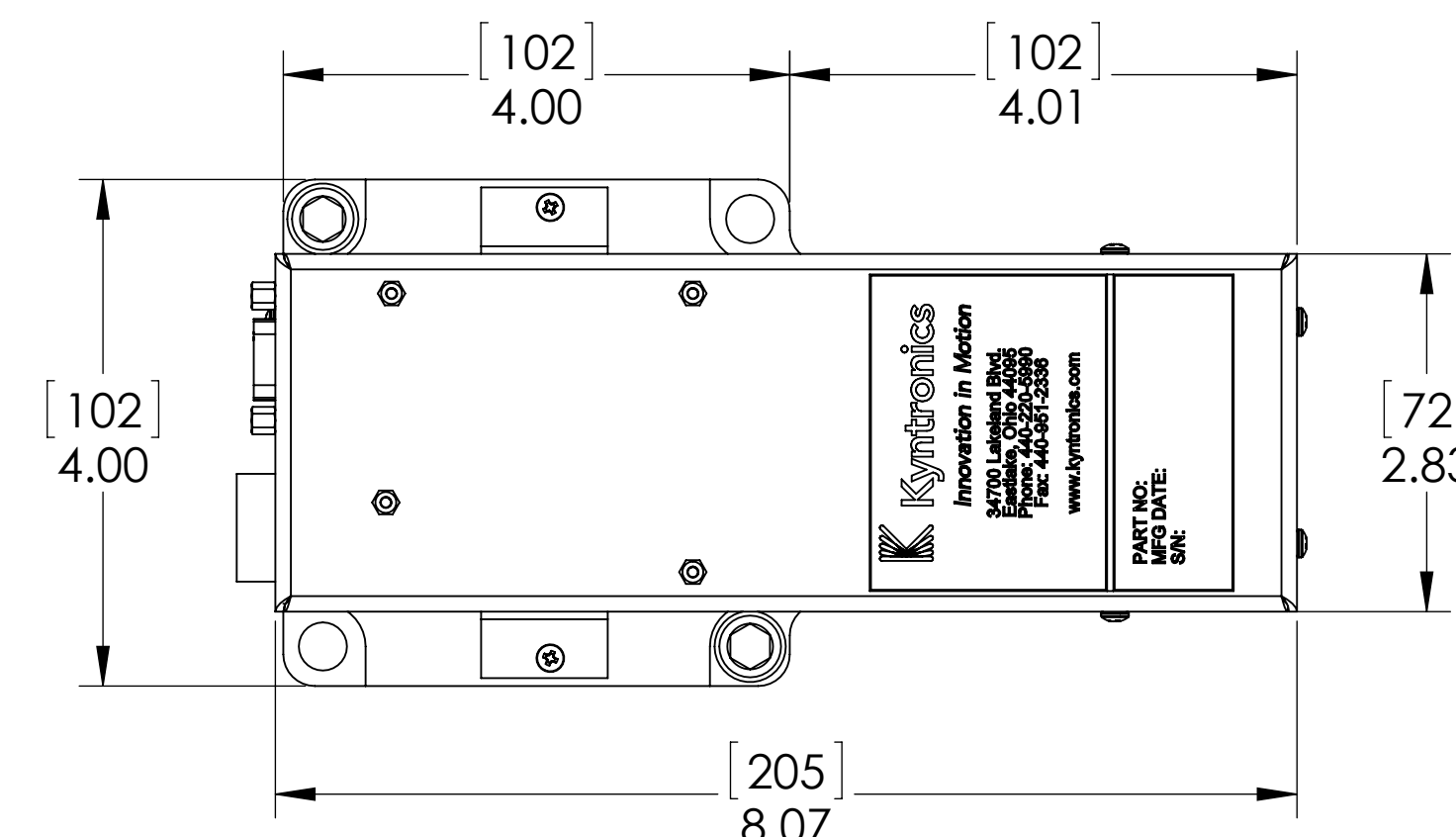


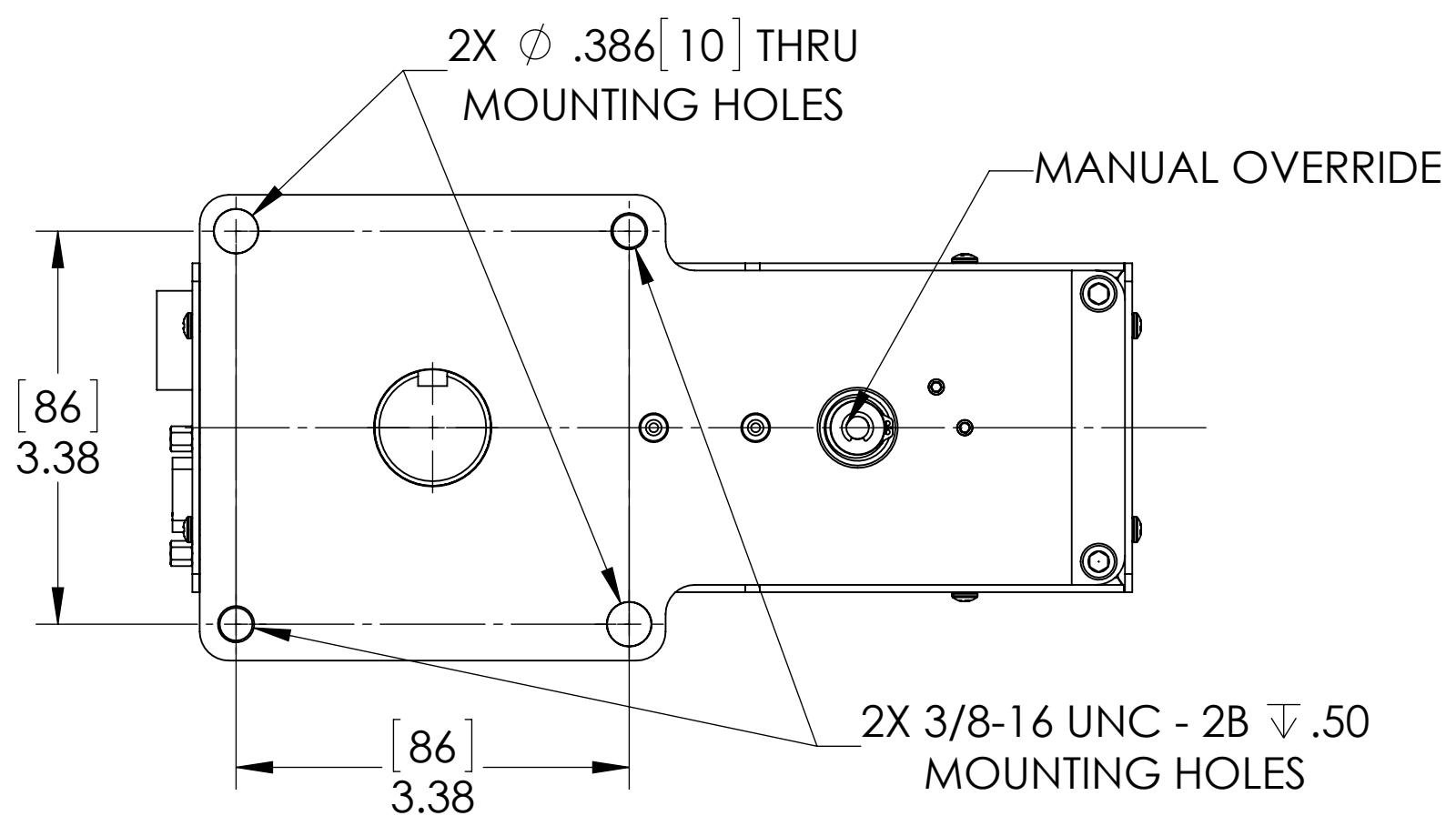
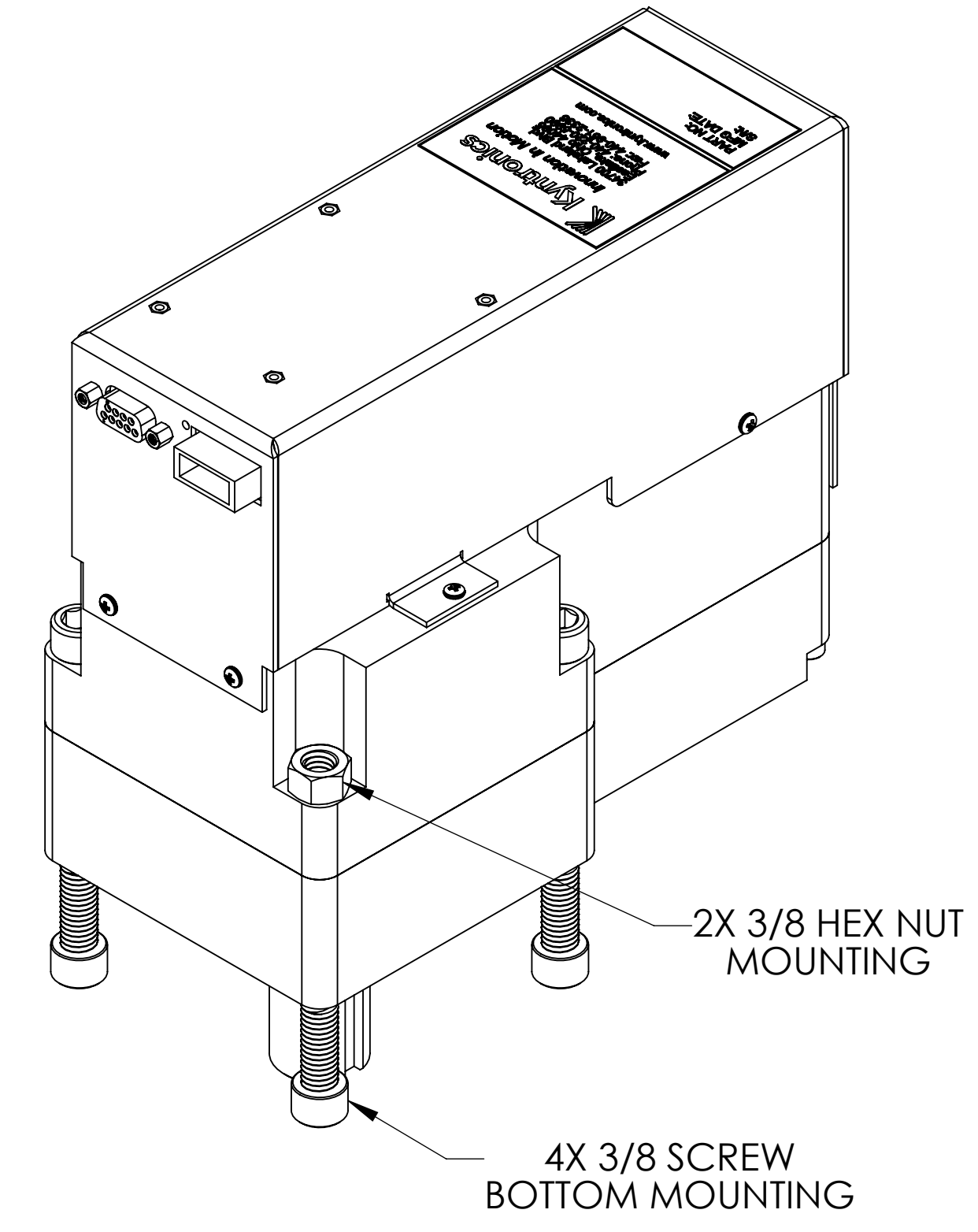
NOTES:

1. ELECTROMECHANICAL ACTUATOR CONTAINING BUILT IN CONTROLS.
2. COMMUNICATION:
  - A. J1, 2 WIRE POWERLINE COMMUNICATION
  - B. J2, MODBUS RTU
3. WEIGHT: 10 lbs MAX.
4. MATERIAL:
  - A. ENCLOSURE: 5052-H32 0.040" AL QQ-A-250/8. CORROSION PREVENTIVE FINISH
  - B. BODY: 6061 ALUMINUM, CORROSION PREVENTIVE FINISH.
  - C. SHAFT: 17-4 PH STAINLESS STEEL.
5. CONNECTOR INFORMATION:
  - A. J1, MATING CONNECTOR: JST/F32FSS-02V-KX, SOCKET CONTACT (JST/SF3F-41T-P2.0) INCLUDED IN KITS.
  - B. J2, D-SHELL: ALPHA P/N 1737C OR SIMILAR.
6. ELECTRICAL CHARACTERISTICS:
  - A. INPUT VOLTAGE AT THE ACTUATOR INPUT CONNECTOR:
    1. MAX VOLTAGE: 33VDC
    2. MIN VOLTAGE: 24VDC
7. MECHANICAL CHARACTERISTICS:
  - A. CONTINUOUS TORQUE: 1200 IN-LBS.
  - B. MAX TORQUE: 2400 IN-LBS.
  - C. ACTUATOR SPEED AT MAX LOAD: 3 RPM.
8. TEMPERATURE RANGE:
  - A. OPERATING RANGE: -15C TO +55C.
  - B. SURVIVING/STORAGE: -55C TO +85C.
9. STATUS LED COLOR INDICATION
  - A. GREEN: GOOD OPERATING CONDITION
  - B. AMBER: NOT COMMUNICATING ON POWERLINE COMMUNICATION.
  - C. RED: UNIT NOT GETTING SUFFICIENT POWER OR FAILURE WITH INTERNAL ELECTRONICS.
10. ABSOLUTE POSITION CONTROL.

REVISIONS			
REV.	DESCRIPTION	DATE	APPROVED
0	ISSUED	11/18/2016	MEA



STANDARD MOUNTING



<b>PROPRIETARY AND CONFIDENTIAL</b> THE INFORMATION CONTAINED IN THIS DRAWING IS THE SOLE PROPERTY OF KYNTRONICS LLC. ANY REPRODUCTION IN PART OR AS A WHOLE WITHOUT THE WRITTEN PERMISSION OF KYNTRONICS LLC. IS PROHIBITED.	UNLESS OTHERWISE SPECIFIED:		 34700 LAKELAND BOULEVARD EASTLAKE, OHIO 44095-5223 MATERIAL: NOTED FINISH: NOTED DO NOT SCALE DRAWING	NAME	DATE	DESC: <b>EMA 2400-R ROTARY ACTUATOR</b>		
	TOLERANCES	SURFACE FINISH		DRAWN BY:	JMV		10/14/16	
	.XX ±.010 .XXX ±.005 .XXXX ±.0015 ANGLES ±30'	125		CHECKED BY:	MEA		11/18/16	
	EDGE BREAKS & RADII	CONCENTRICITY		APPVD. BY:	MEA		11/18/16	
EXTERIOR: .020 MAX. X 45° INTERIOR: .020 R. MAX.	I.D./O.D. EACH END: .005 T.I.R. END TO END: .010 T.I.R.	INTERPRET GEOMETRIC TOLERANCING PER: ANSI Y14.5M DIMENSIONS IN INCHES THIRD ANGLE PROJECTION	CAGE CODE	1TJ05	SCALE: 1:2	SIZE	DWG. NO.	REV
						D	<b>EDASM-00287</b>	0
							WEIGHT:	SHEET 1 OF 1