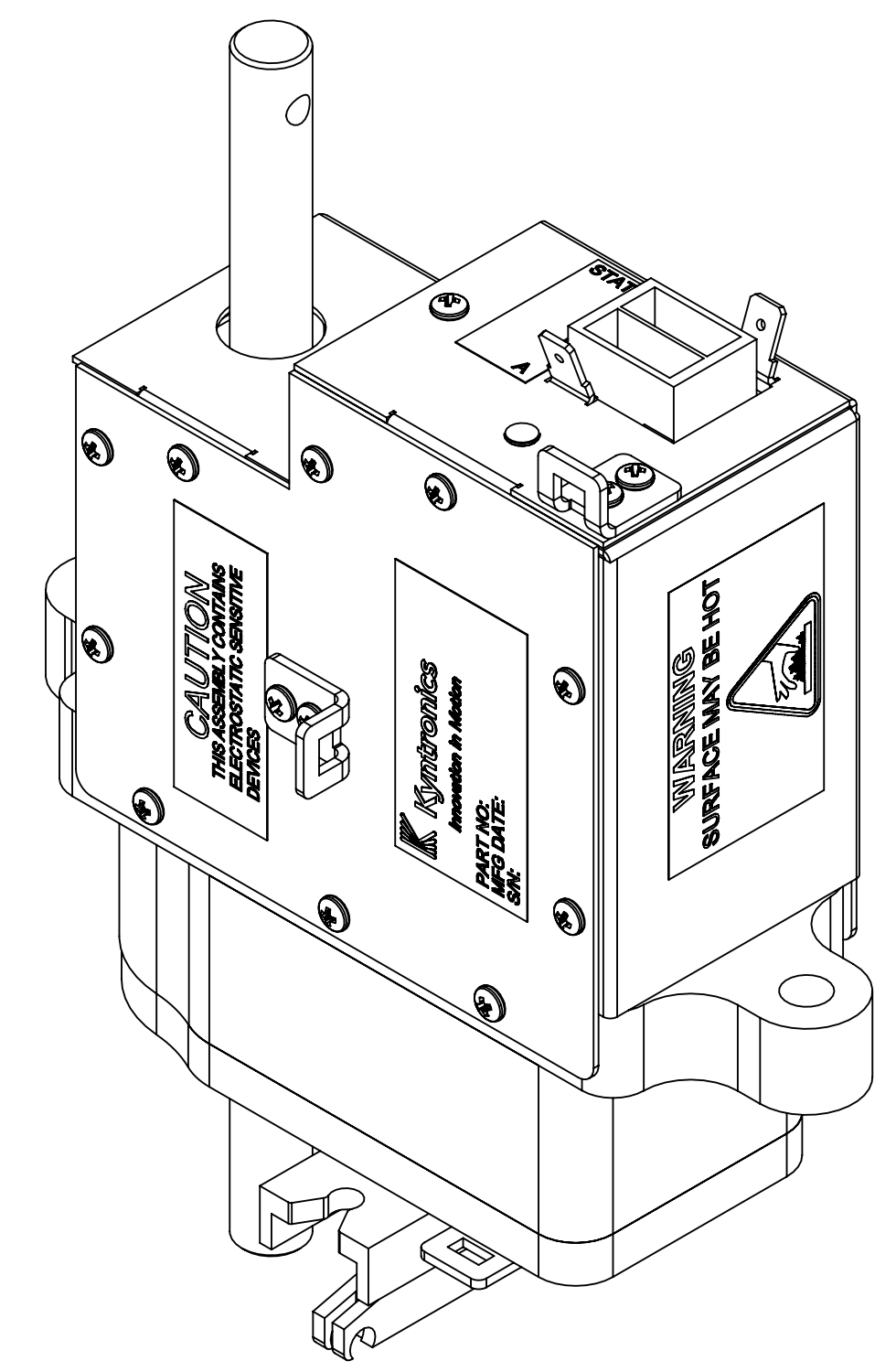
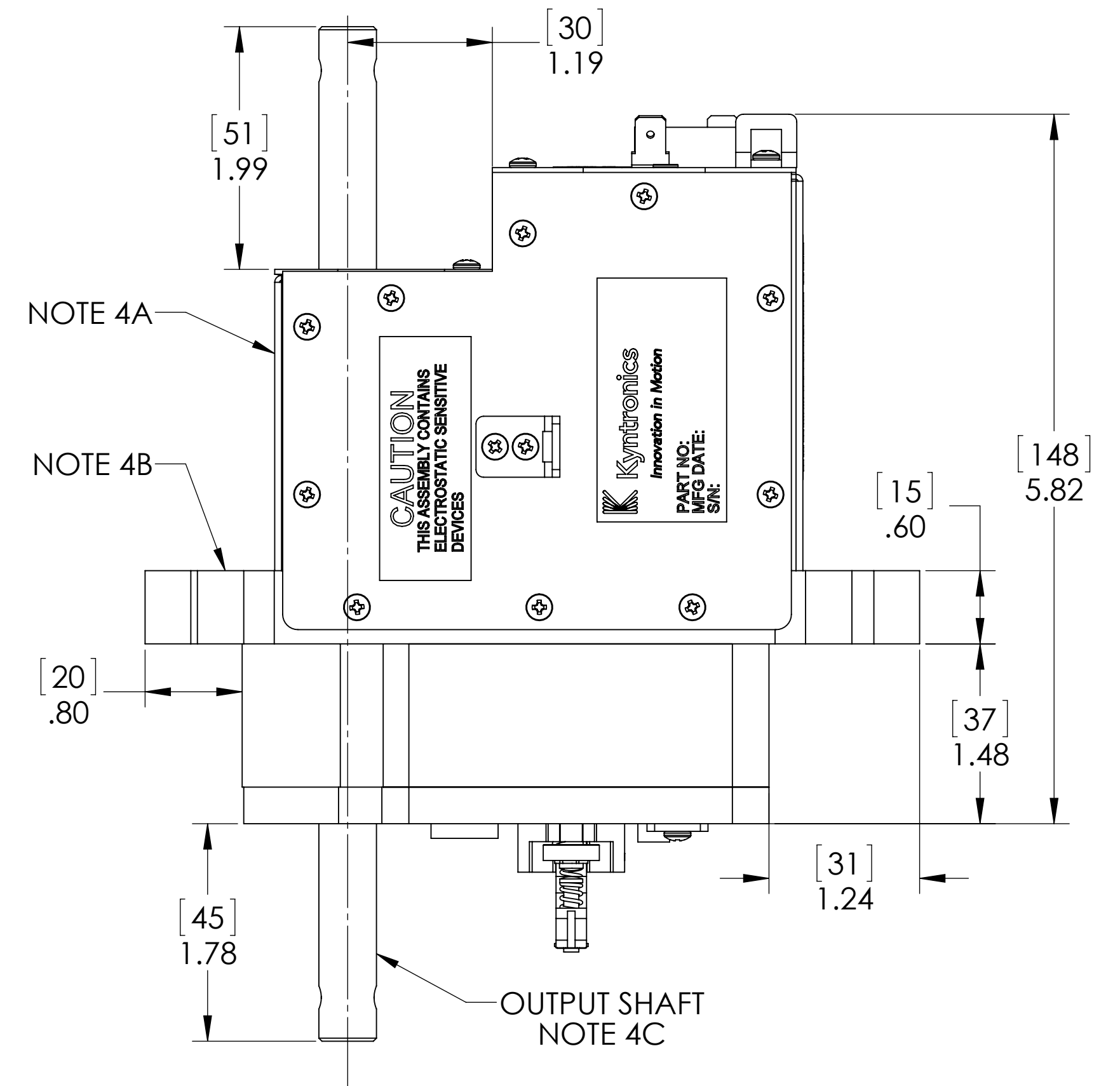
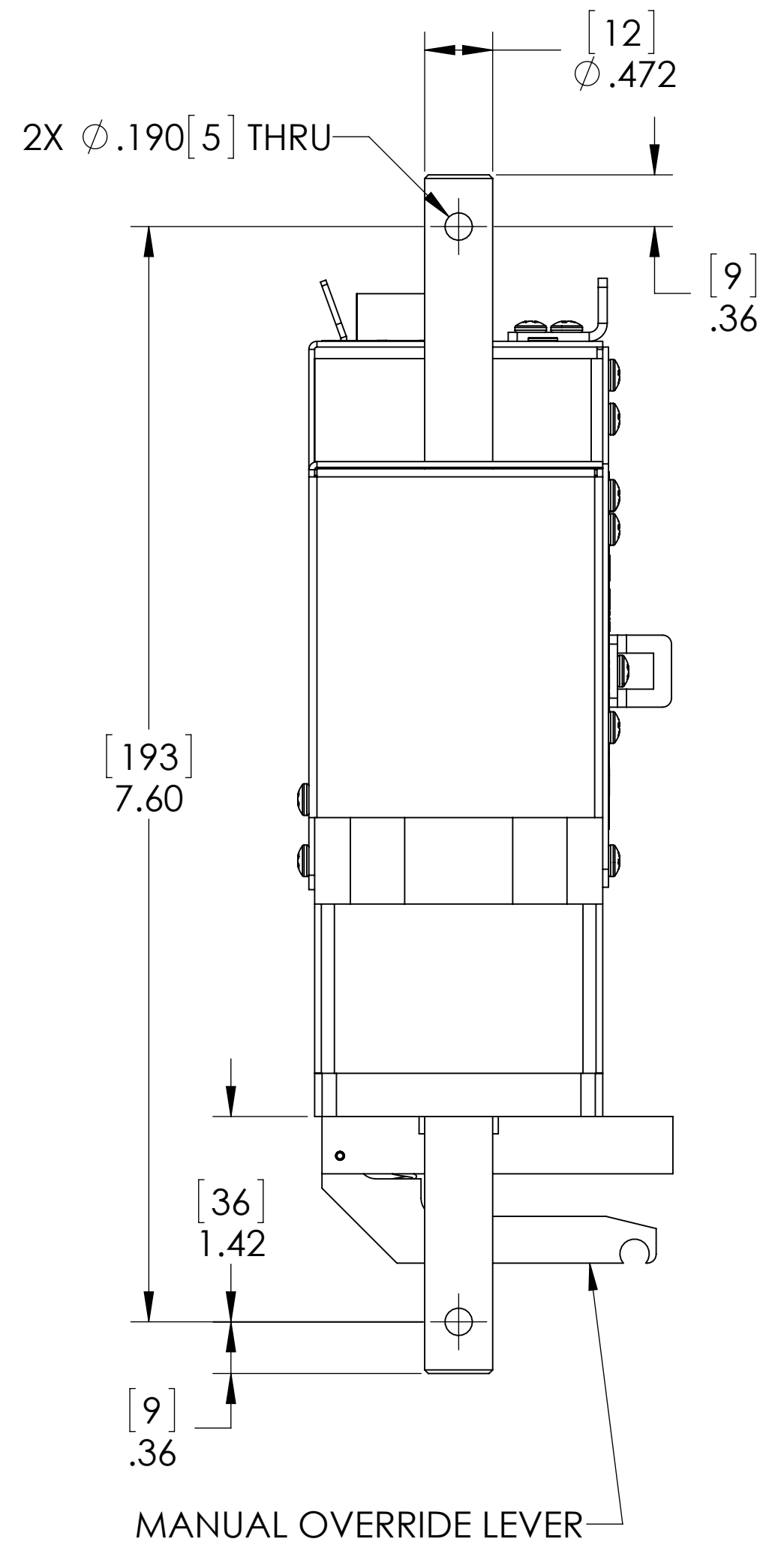
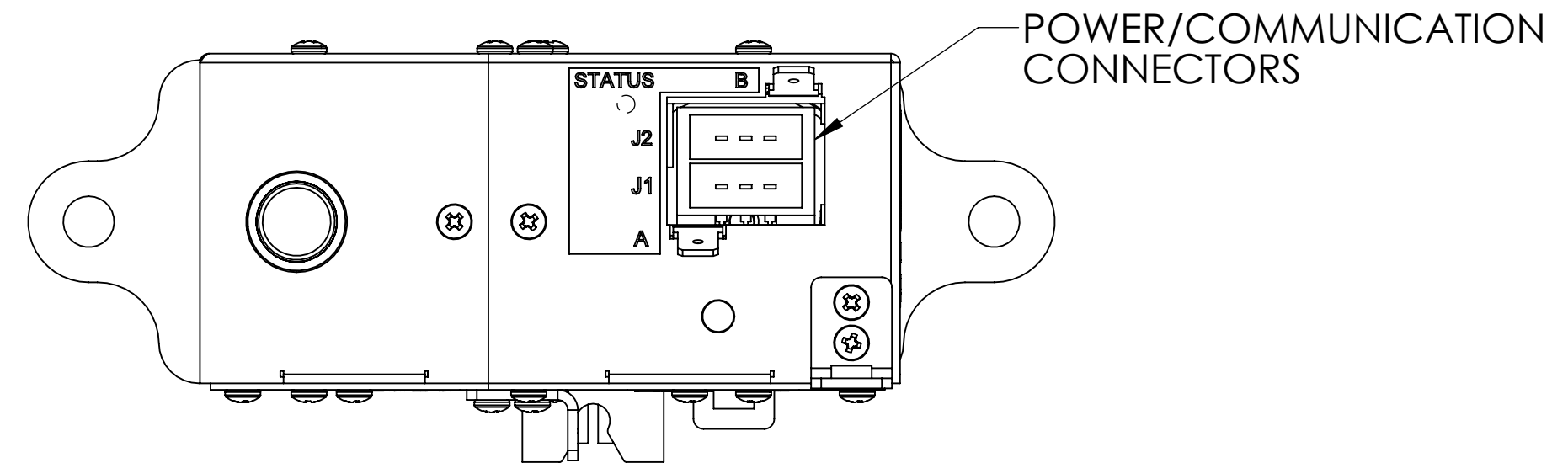


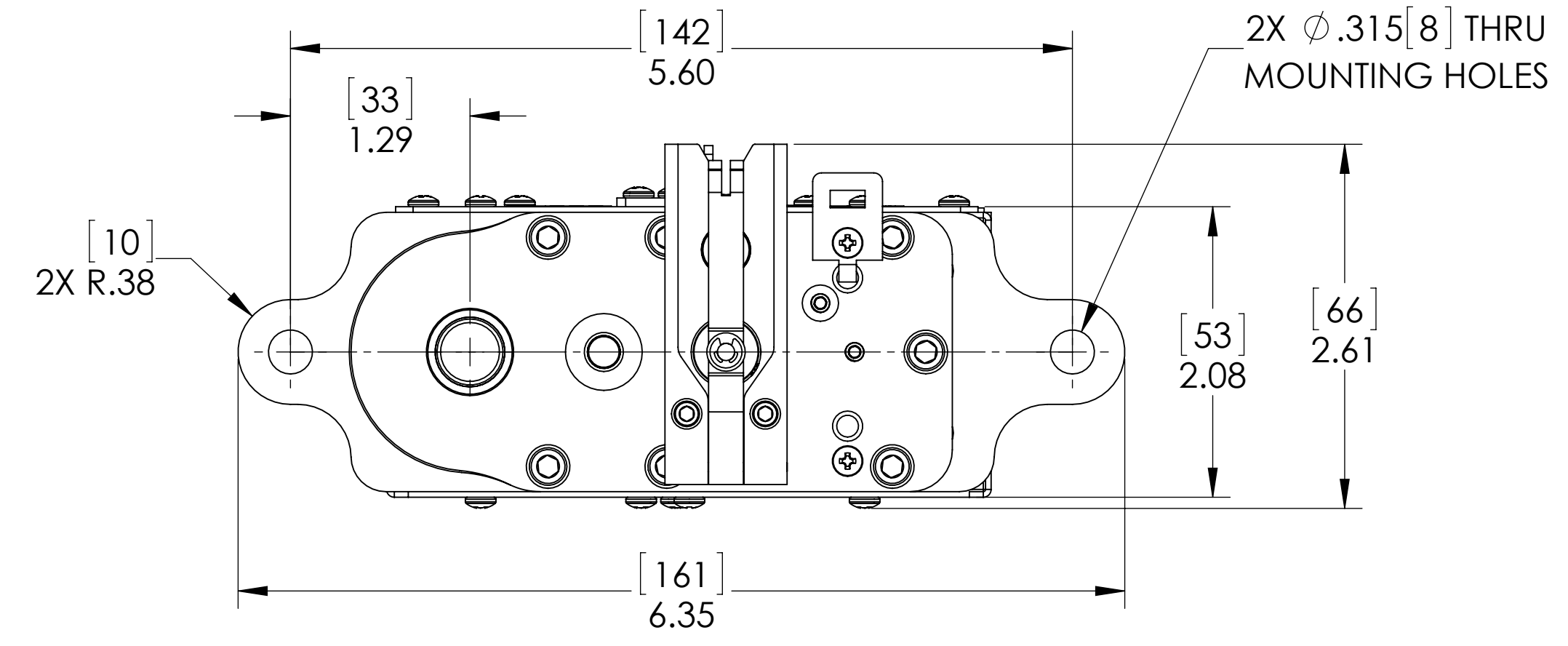
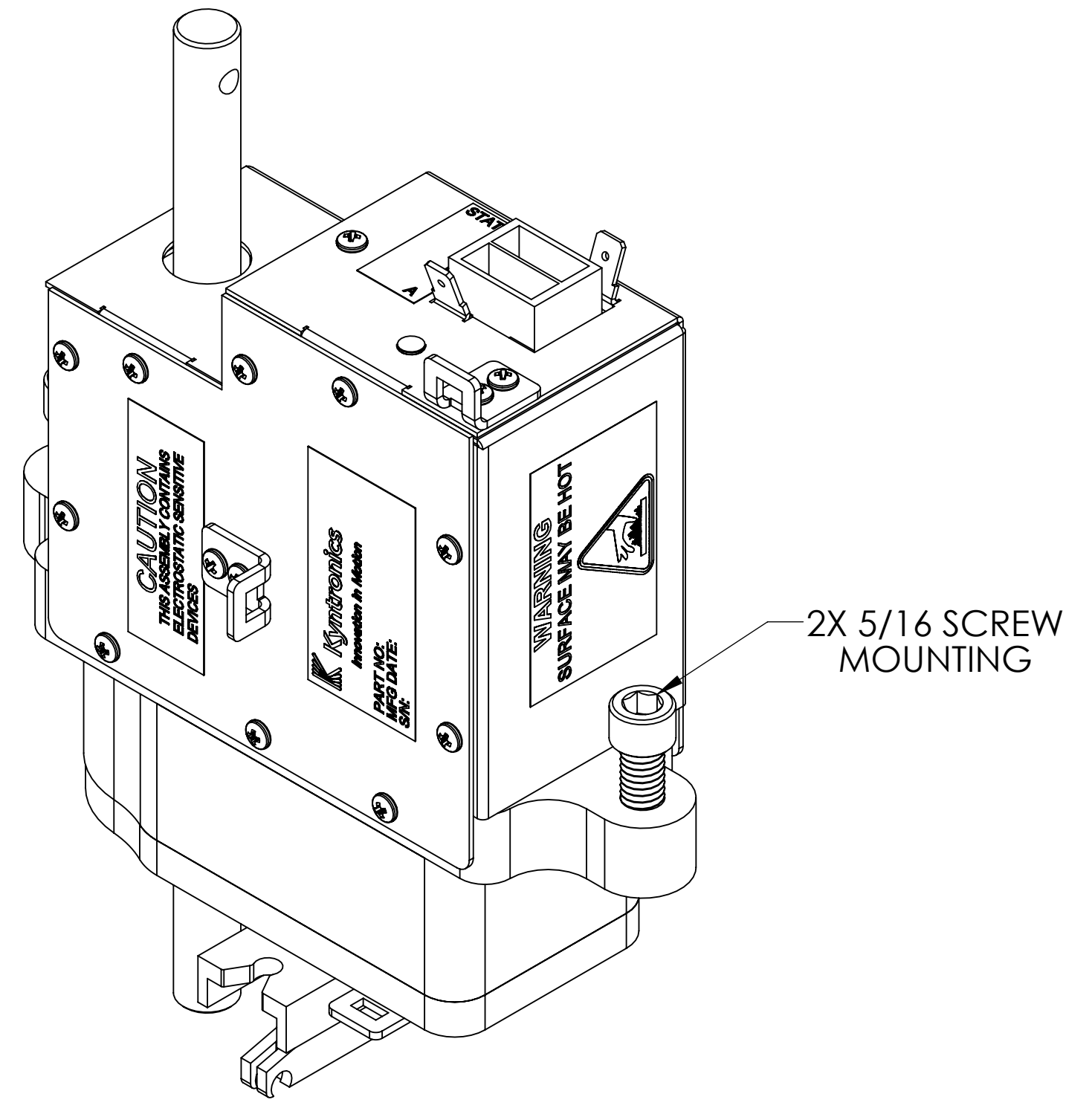
REVISIONS			
REV.	DESCRIPTION	DATE	APPROVED
0	ISSUED	11/18/2016	MEA

NOTES:

- ELECTROMECHANICAL ACTUATOR CONTAINING BUILT IN CONTROLS TO BE USED IN A POWERLINE COMMUNICATION NETWORK ARCHITECTURE.
- FUNCTIONALITY:
 - UNIT RECEIVES POWER AND POWERLINE COMMUNICATION DATA THROUGH A 2-WIRE NETWORK SYSTEM. IT CONTAINS SOFTWARE TO COMMUNICATE WITH OTHER UNITS.
 - DUTY CYCLE: 20% FOR A MAXIMUM RUNNING TIME OF 40 SECONDS DURING THE CYCLE.
- WEIGHT: 4.0 lbs MAX.
- MATERIAL:
 - ENCLOSURE: 5052-H32, 0.040" AI QQ-A-250/8, CORROSION PREVENTIVE FINISH.
 - BODY: 6061 ALUMINUM, CORROSION PREVENTIVE FINISH.
 - SHAFT: AISI 4140 STEEL.
- CONNECTOR INFORMATION:
 - INPUT/OUTPUT CONNECTOR COMBO P/N (J1, J2): JST/S06B-F31MK-GGXJR (LF) (AU).
 - J1 MATING CONNECTOR/CONTACT: JST - F31FSS03V-KX/SF3F-41GF-P2.0
 - J2 MATING CONNECTOR/CONTACT: JST - F31FSS03V-KY/SF3F-41GF-P2.0
 - TAB A AND B MATING CONNECTOR: TYCO 640905-1 OR EQUIVALENT.
- ELECTRICAL CHARACTERISTICS:
 - INPUT VOLTAGE AT THE ACTUATOR INPUT CONNECTOR:
 - MAX VOLTAGE: 33VDC.
 - MIN VOLTAGE: 24VDC.
- MECHANICAL CHARACTERISTICS:
 - CONTINUOUS TORQUE: 155 IN-LBS.
 - MAX TORQUE: 180 IN-LBS.
 - SPEED AT MAX TORQUE: 7.5 RPM.
- TEMPERATURE RANGE:
 - OPERATING RANGE: -15C TO +55C.
 - SURVIVING/STORAGE: -55C TO +85C.
- STATUS LED COLOR INDICATION
 - GREEN: GOOD OPERATING CONDITION
 - AMBER: NOT COMMUNICATING ON POWERLINE COMMUNICATION.
 - RED: UNIT NOT GETTING SUFFICIENT POWER OR FAILURE WITH INTERNAL ELECTRONICS.
- ABSOLUTE POSITION CONTROL.



STANDARD MOUNTING



<p>PROPRIETARY AND CONFIDENTIAL</p> <p>THE INFORMATION CONTAINED IN THIS DRAWING IS THE SOLE PROPERTY OF KYNTRONICS LLC. ANY REPRODUCTION IN PART OR AS A WHOLE WITHOUT THE WRITTEN PERMISSION OF KYNTRONICS LLC. IS PROHIBITED.</p>	UNLESS OTHERWISE SPECIFIED:		<p>34700 LAKELAND BOULEVARD EASTLAKE, OHIO 44095-5223</p>	NAME	DATE	<p>DESC: EMA 0180-R ROTARY ACTUATOR</p>		
	TOLERANCES	SURFACE FINISH		DRAWN BY:	JMV		10/11/16	
	.XX ±.010 .XXX ±.005 .XXXX ±.0015 ANGLES ±30'	125	CHECKED BY:	MEA	11/18/16			
	EDGE BREAKS & RADII	CONCENTRICITY	APPVD. BY:	MEA	11/18/16			
EXTERIOR: .020 MAX. X 45° INTERIOR: .020 R. MAX.	I.D./O.D. EACH END: .005 T.I.R. END TO END: .010 T.I.R.	MATERIAL	NOTED	INTERPRET GEOMETRIC TOLERANCING PER: ANSI Y14.5M DIMENSIONS IN INCHES THIRD ANGLE PROJECTION	CAGE CODE	SIZE	DWG. NO.	REV
		DO NOT SCALE DRAWING	NOTED		1TJ05	D	EDASM-00255	0
				SCALE: 1:1	WEIGHT:	SHEET 1 OF 1		