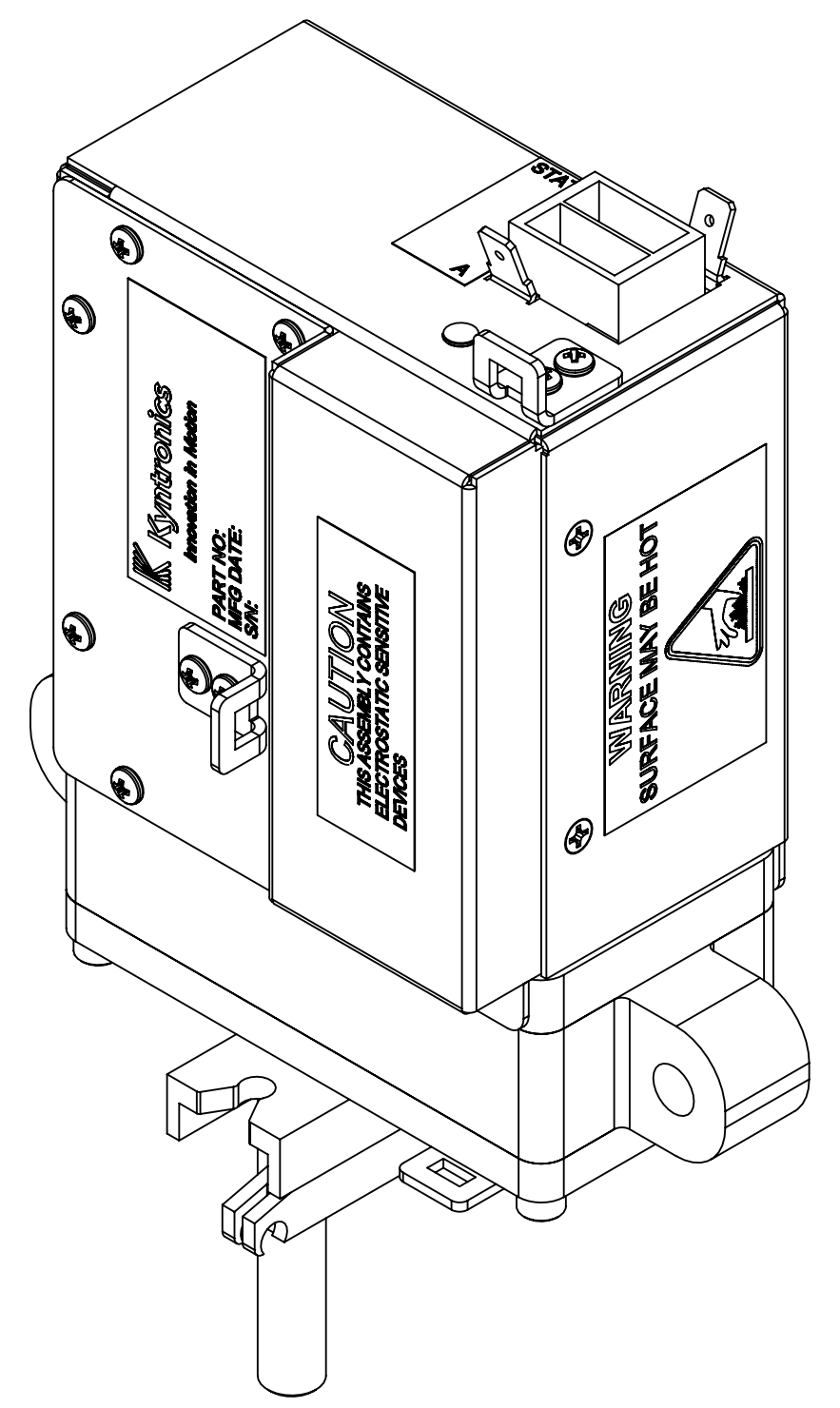
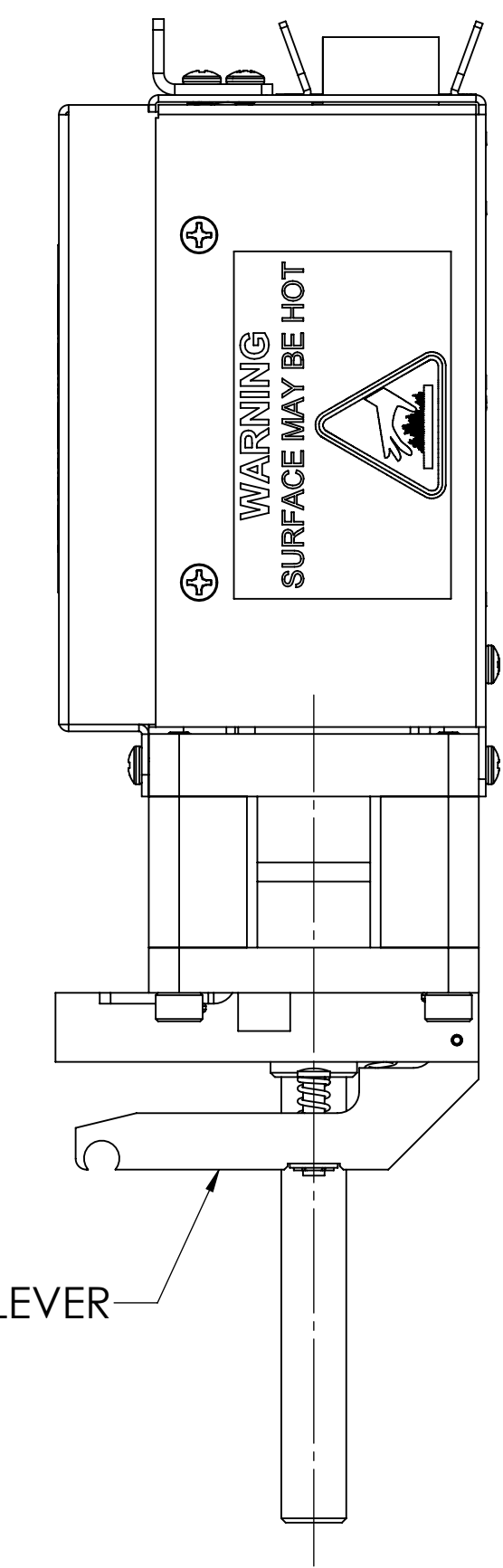
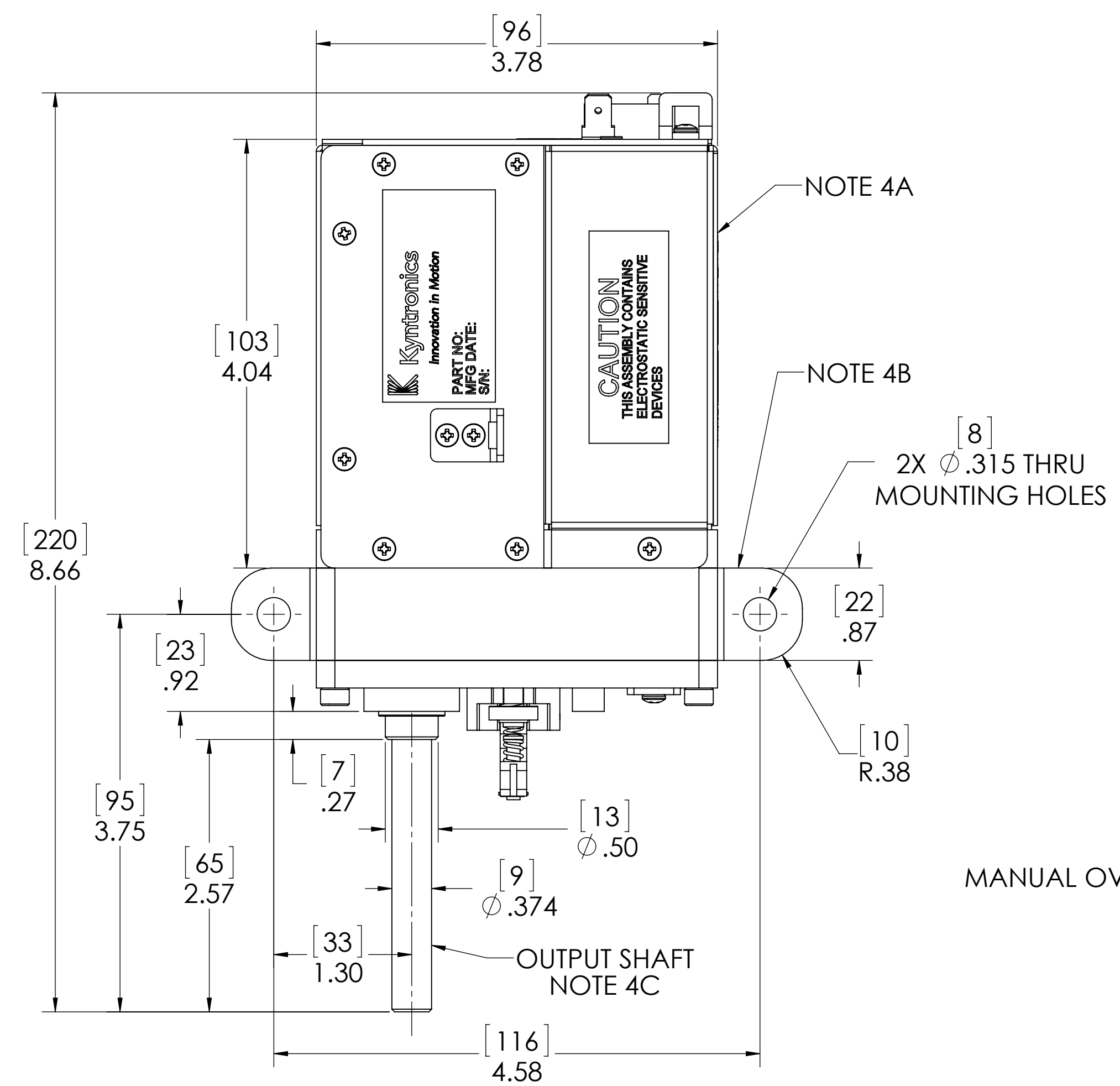
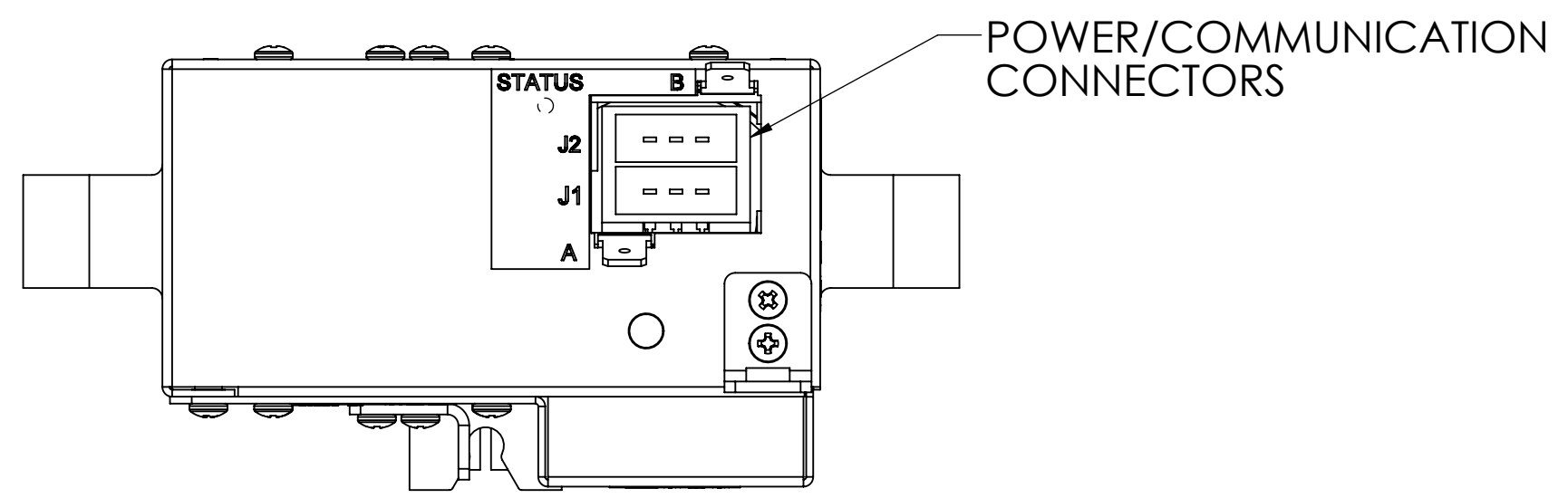


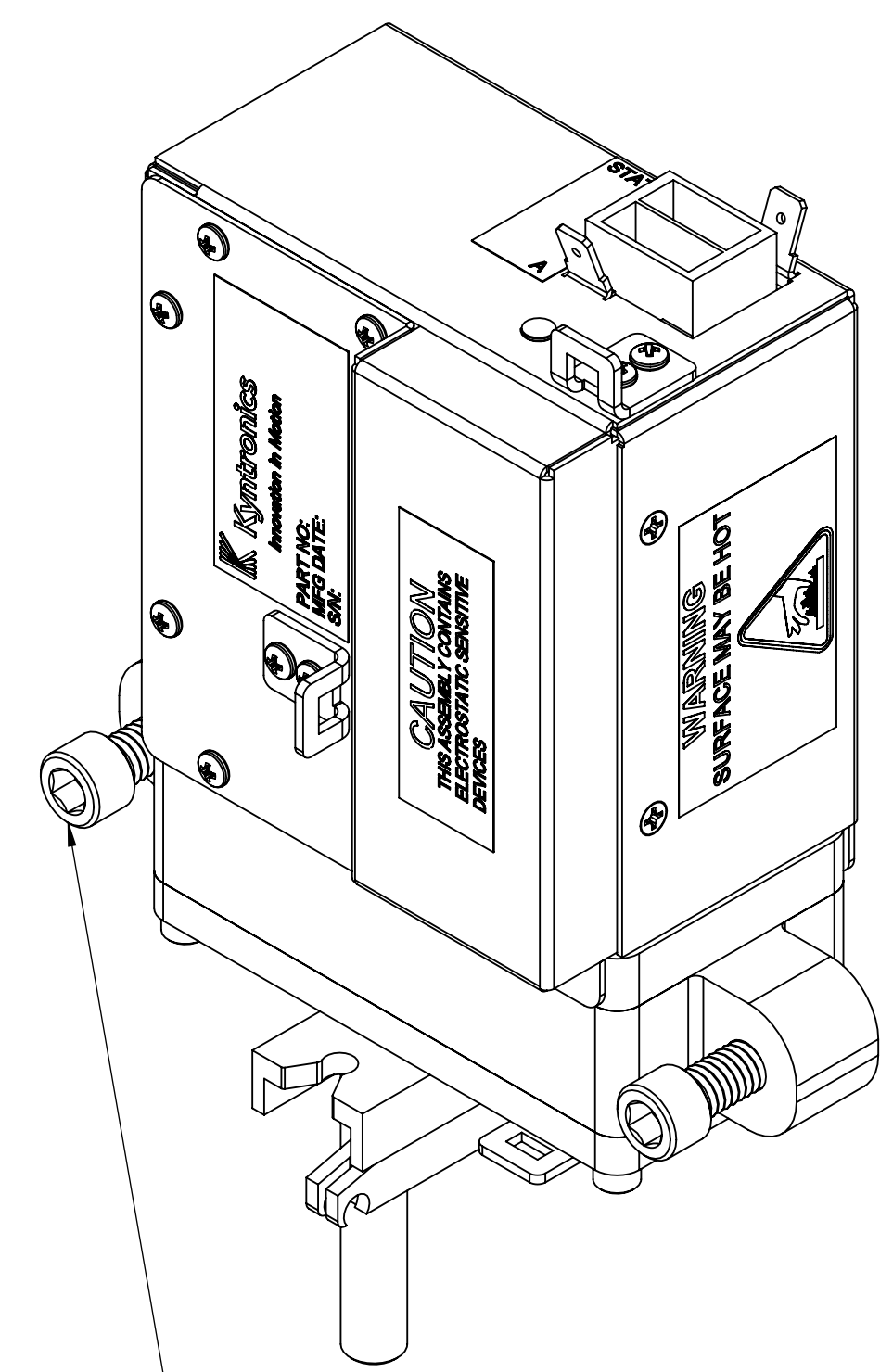
NOTES:

1. ELECTROMECHANICAL ACTUATOR CONTAINING BUILT IN CONTROLS TO BE USED IN A POWERLINE COMMUNICATION NETWORK ARCHITECTURE.
2. FUNCTIONALITY:
 - A. UNIT RECEIVES POWER AND POWERLINE COMMUNICATION DATA THROUGH A 2-WIRE NETWORK SYSTEM. IT CONTAINS SOFTWARE TO COMMUNICATE WITH OTHER UNITS.
 - B. DUTY CYCLE: 20% FOR A MAXIMUM RUNNING TIME OF 40 SECONDS DURING THE CYCLE.
3. WEIGHT: 4.0 LBS MAX.
4. MATERIAL:
 - A. ENCLOSURE: 5052-H32, 0.040" AL QQ-A-250/8. CORROSION PREVENTIVE FINISH.
 - B. BODY: 6061 ALUMINUM. CORROSION PREVENTIVE FINISH.
 - C. SHAFT: AISI 4140 STEEL.
5. CONNECTOR INFORMATION:
 - A. INPUT/OUTPUT CONNECTOR COMBO P/N (J1, J2): JST/S06B-F31MK-GGXJR (LF) (AU).
 - B. J1 MATING CONNECTOR/CONTACT: JST - F31FSS03V-KX/SF3F-41GF-P2.0
 - C. J2 MATING CONNECTOR/CONTACT: JST - F31FSS03V-KY/SF3F-41GF-P2.0
 - D. TAB A AND B MATING CONNECTOR: TYCO 640905-1 OR EQUIVALENT.
6. ELECTRICAL CHARACTERISTICS:
 - A. INPUT VOLTAGE AT THE ACTUATOR INPUT CONNECTOR:
 1. MAX VOLTAGE: 33VDC.
 2. MIN VOLTAGE: 24VDC.
7. MECHANICAL CHARACTERISTICS:
 - A. CONTINUOUS TORQUE: 55 IN-LBS.
 - B. MAX TORQUE: 75 IN-LBS.
 - C. SPEED AT MAX TORQUE: 15.7 RPM.
8. TEMPERATURE RANGE:
 - A. OPERATING RANGE: -15C TO +55C.
 - B. SURVIVING/STORAGE: -55C TO +85C.
9. STATUS LED COLOR INDICATION
 - A. GREEN: GOOD OPERATING CONDITION
 - B. AMBER: NOT COMMUNICATING ON POWERLINE COMMUNICATION.
 - C. RED: UNIT NOT GETTING SUFFICIENT POWER OR FAILURE WITH INTERNAL ELECTRONICS.
10. ABSOLUTE POSITION CONTROL.

REVISIONS			
REV.	DESCRIPTION	DATE	APPROVED
0	ISSUED	11/18/2016	MEA



STANDARD MOUNTING



2X 5/16 SCREW MOUNTING

<p>PROPRIETARY AND CONFIDENTIAL</p> <p>THE INFORMATION CONTAINED IN THIS DRAWING IS THE SOLE PROPERTY OF KYNTRONICS LLC. ANY REPRODUCTION IN PART OR AS A WHOLE WITHOUT THE WRITTEN PERMISSION OF KYNTRONICS LLC. PROHIBITED.</p>	UNLESS OTHERWISE SPECIFIED:		<p>34700 LAKELAND BOULEVARD EASTLAKE, OHIO 44095-5223</p>	NAME	DATE	DESC: EMA 0075-R ROTARY ACTUATOR		
	TOLERANCES	SURFACE FINISH		DRAWN BY:	JMV		10/10/16	
	.XX ±.010 .XXX ±.005 .XXXX ±.0015 ANGLES ±30'	125		CHECKED BY:	MEA		11/18/16	
	EDGE BREAKS & RADII	CONCENTRICITY		APPVD. BY:	MEA		11/18/16	
EXTERIOR: .020 MAX. X 45° INTERIOR: .020 R. MAX.	I.D./O.D. EACH END: .005 T.I.R. END TO END: .010 T.I.R.	DO NOT SCALE DRAWING	FINISH	NOTED	INTERPRET GEOMETRIC TOLERANCING PER: ANSI Y14.5M DIMENSIONS IN INCHES THIRD ANGLE PROJECTION	SIZE	DWG. NO.	REV
						D	EDASM-00260	0
						SCALE: 1:1	WEIGHT:	SHEET 1 OF 1