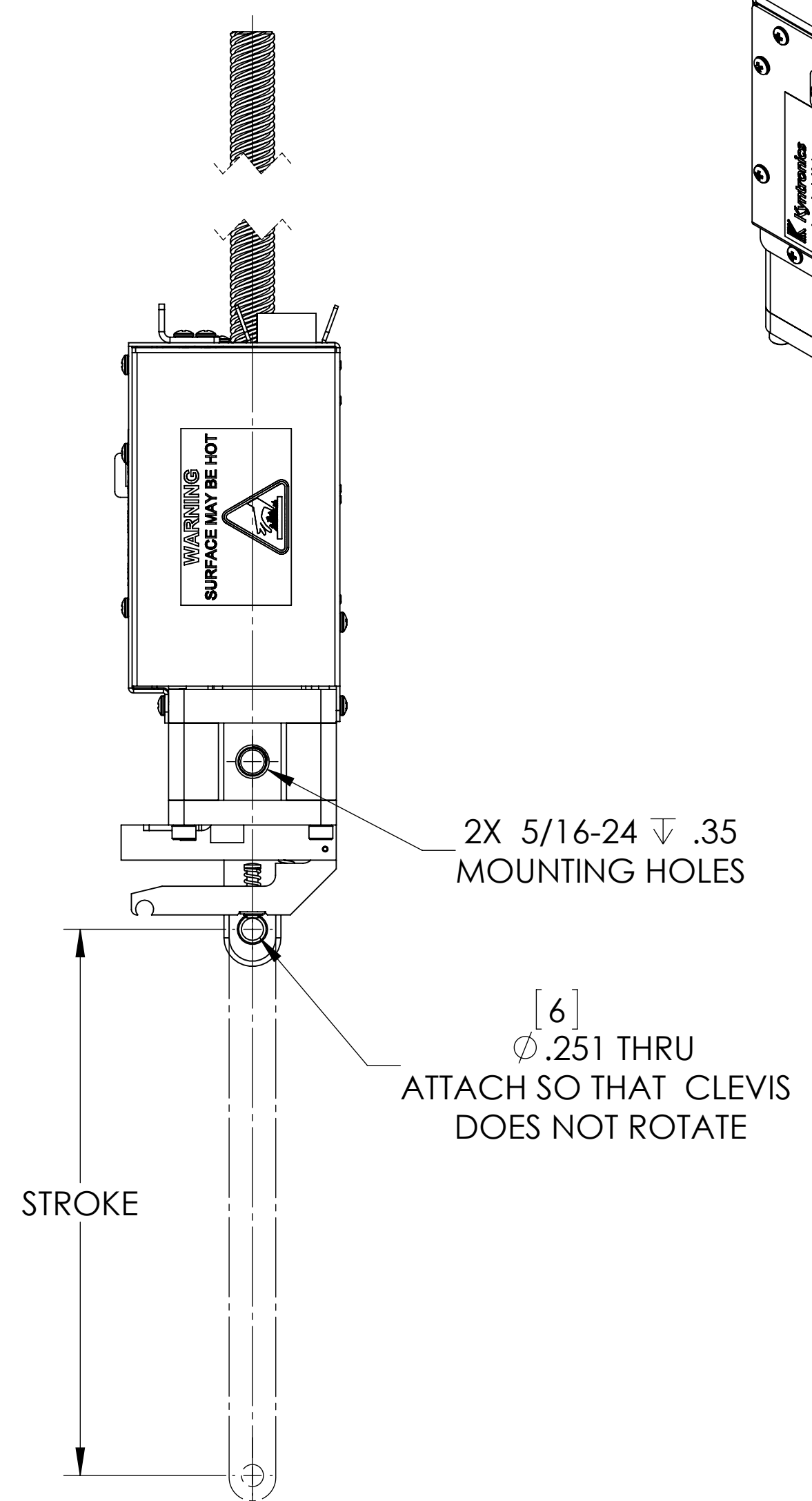
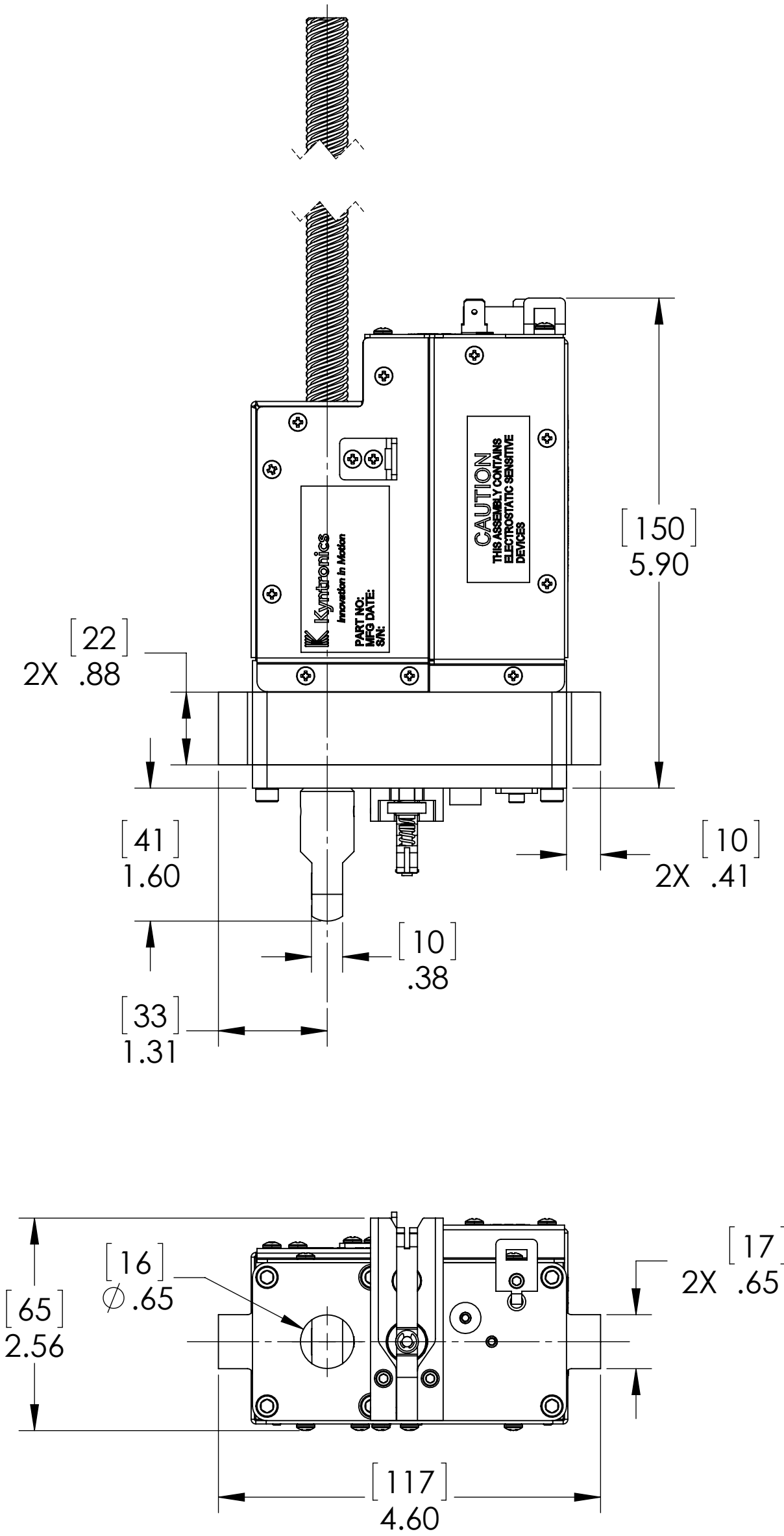
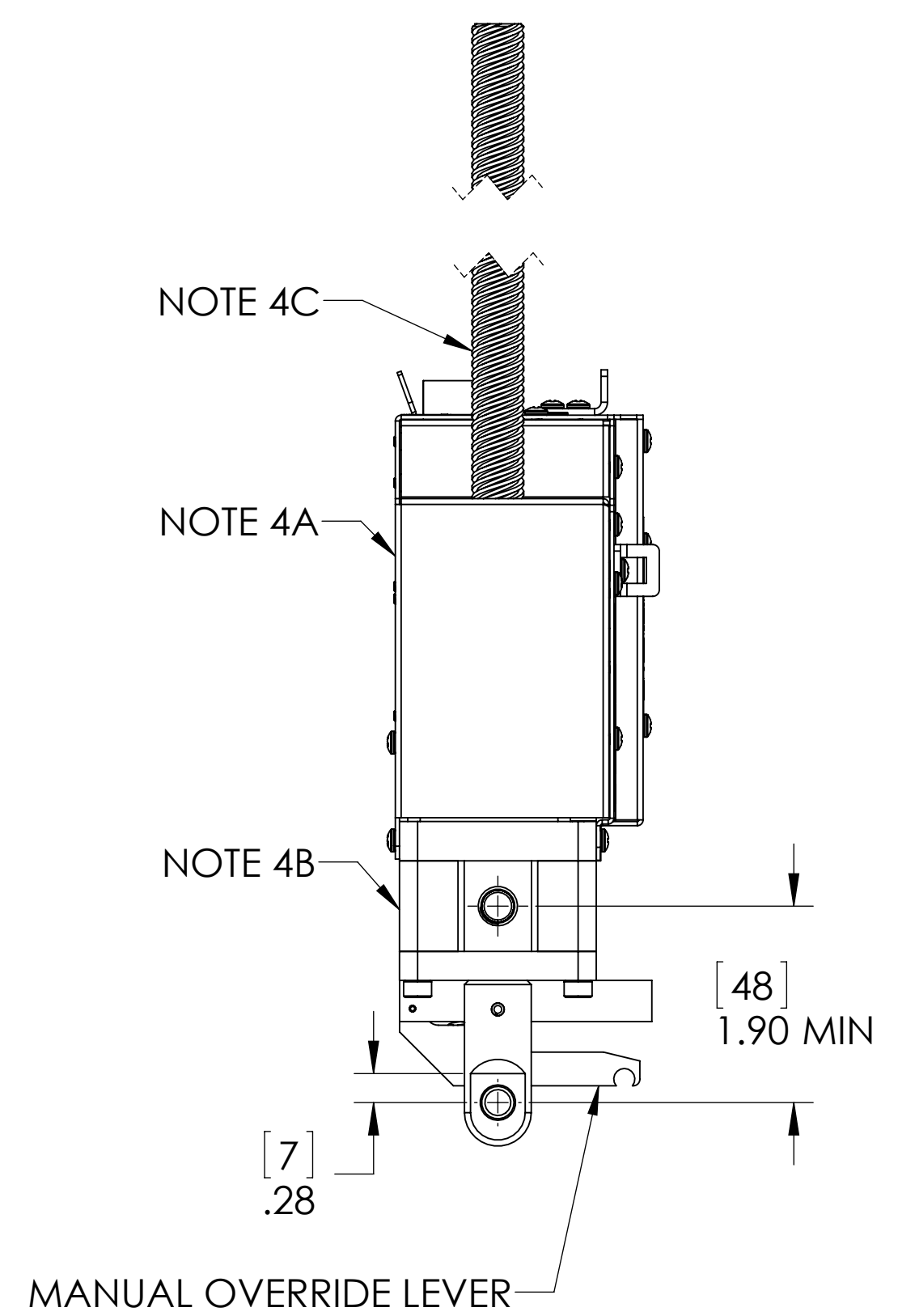
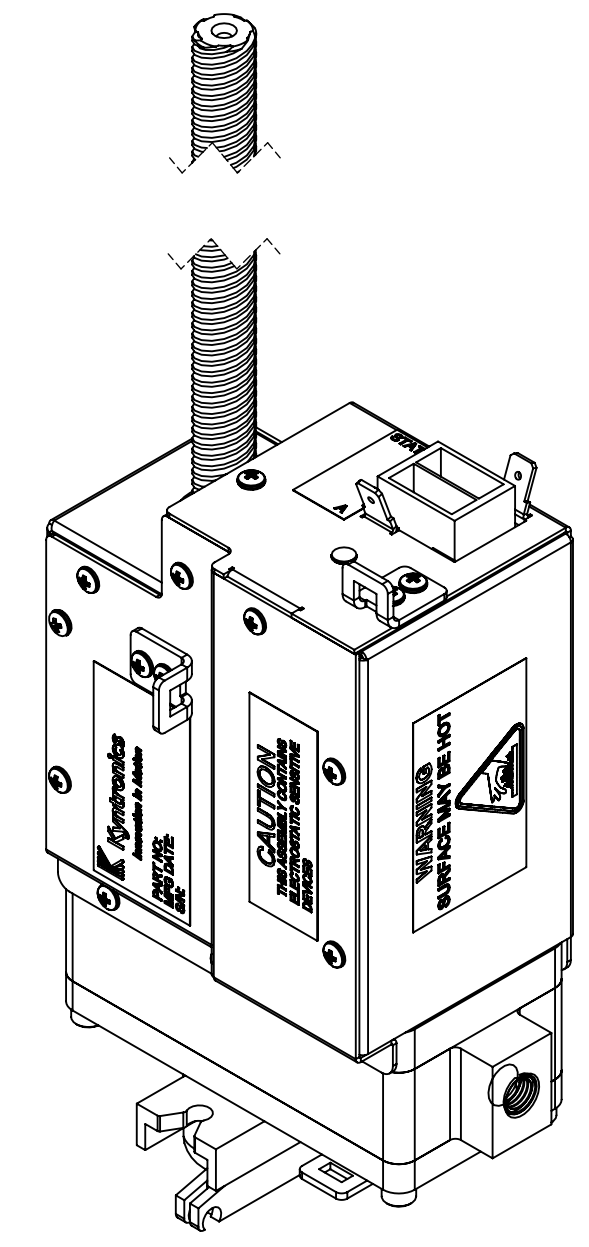
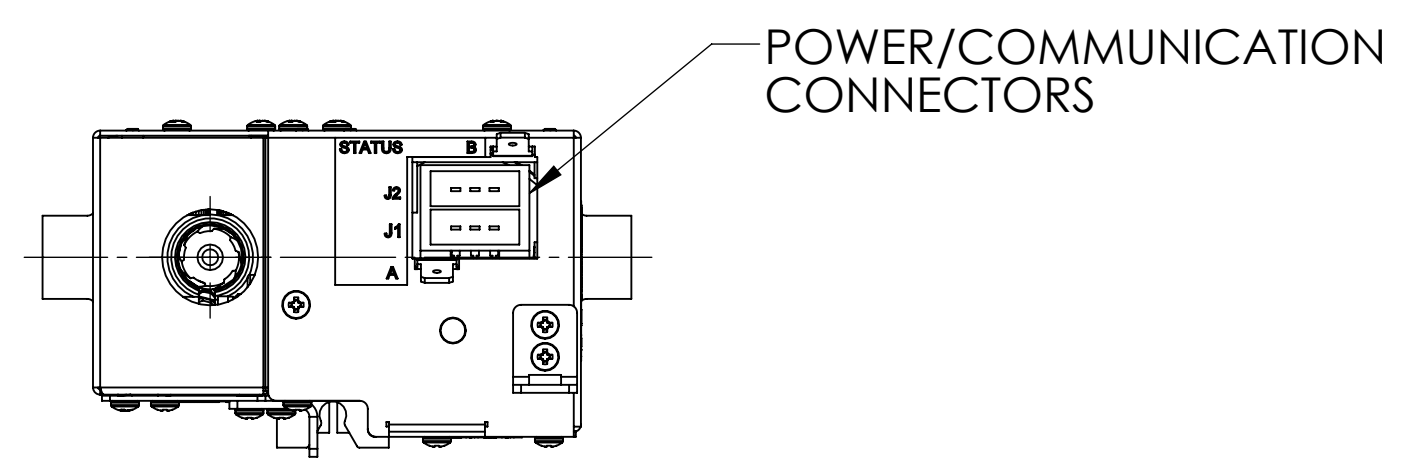


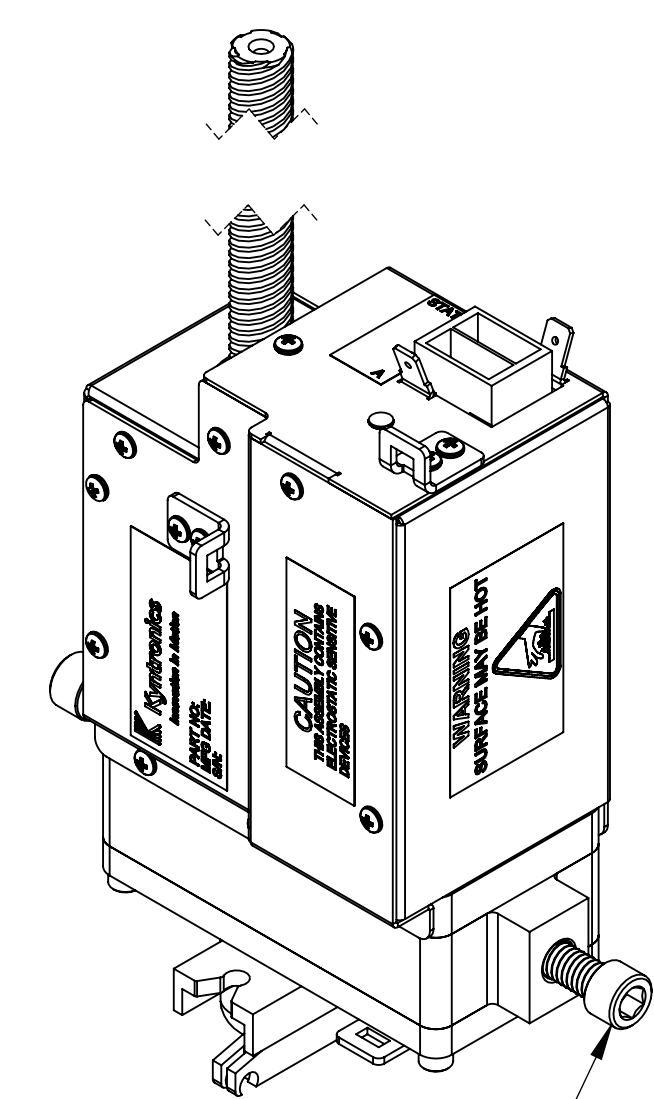
NOTES:

1. ELECTROMECHANICAL ACTUATOR CONTAINING BUILT IN CONTROLS TO BE USED IN A POWERLINE COMMUNICATION NETWORK ARCHITECTURE.
2. FUNCTIONALITY:
 - A. UNIT RECEIVES POWER AND POWERLINE COMMUNICATION DATA THROUGH A 2-WIRE NETWORK SYSTEM. IT CONTAINS SOFTWARE TO COMMUNICATE WITH OTHER UNITS.
 - B. DUTY CYCLE: 20% FOR A MAXIMUM RUNNING TIME OF 40 SECONDS DURING THE CYCLE.
3. WEIGHT: 4.0 lbs MAX.
4. MATERIAL:
 - A. ENCLOSURE: 5052-H32, 0.040" AL QQ-A-250/8, CORROSION PREVENTIVE FINISH.
 - B. BODY: 6061 ALUMINUM, CORROSION PREVENTIVE FINISH.
 - C. SCREW: 304 STAINLESS STEEL.
5. CONNECTOR INFORMATION:
 - A. INPUT/OUTPUT CONNECTOR COMBO P/N (J1, J2): JST/S06B-F31MK-GGXYR (LF) (AU).
 - B. J1 MATING CONNECTOR/CONTACT: JST - F31FSS03V-KX/SF3F-41GF-P2.0
 - C. J2 MATING CONNECTOR/CONTACT: JST - F31FSS03V-KY/SF3F-41GF-P2.0
 - D. TAB A AND B MATING CONNECTOR: TYCO 640905-1 OR EQUIVALENT.
6. ELECTRICAL CHARACTERISTICS:
 - A. INPUT VOLTAGE AT THE ACTUATOR INPUT CONNECTOR:
 1. MAX VOLTAGE: 33VDC.
 2. MIN VOLTAGE: 24VDC.
7. MECHANICAL CHARACTERISTICS:
 - A. CONTINUOUS LOAD: 250 LBS.
 - B. MAX LOAD: 500 LBS.
 - C. SPEED AT MAX LOAD: 0.25 IN/SEC.
 - D. STROKE: UP TO 18 INCHES.
8. TEMPERATURE RANGE:
 - A. OPERATING RANGE: -15C TO +55C.
 - B. SURVIVING/STORAGE: -55C TO +85C.
9. STATUS LED COLOR INDICATION
 - A. GREEN: GOOD OPERATING CONDITION
 - B. AMBER: NOT COMMUNICATING ON POWERLINE COMMUNICATION.
 - C. RED: UNIT NOT GETTING SUFFICIENT POWER OR FAILURE WITH INTERNAL ELECTRONICS.
10. ABSOLUTE POSITION CONTROL.

| REVISIONS | | | |
|-----------|-------------|------------|----------|
| REV. | DESCRIPTION | DATE | APPROVED |
| 0 | ISSUED | 11/18/2016 | MEA |



STANDARD MOUNTING



2X 5/16 SCREW MOUNTING

| | | | | | | | | |
|--|--|----------------------|---|--|-----------|--|--------------------|--------------|
| PROPRIETARY AND CONFIDENTIAL THE INFORMATION CONTAINED IN THIS DRAWING IS THE SOLE PROPERTY OF KYNTRONICS LLC. ANY REPRODUCTION IN PART OR AS A WHOLE WITHOUT THE WRITTEN PERMISSION OF KYNTRONICS LLC. IS PROHIBITED. | UNLESS OTHERWISE SPECIFIED: | | 34700 LAKELAND BOULEVARD EASTLAKE, OHIO 44095-5223 | NAME | DATE | DESC: EMA 0500-L LINEAR ACTUATOR | | |
| | TOLERANCES | SURFACE FINISH | | DRAWN BY: | JMV | | 10/17/16 | |
| | .XX \pm .010 .XXX \pm .005 .XXXX \pm .0015 ANGLES \pm 30' | 125 | CHECKED BY: | MEA | 11/18/16 | | | |
| | EDGE BREAKS & RADII | CONCENTRICITY | APPVD. BY: | MEA | 11/18/16 | | | |
| EXTERIOR: .020 MAX. X 45° INTERIOR: .020 R. MAX. | I.D./O.D. EACH END: .005 T.I.R. END TO END: .010 T.I.R. | MATERIAL | NOTED | INTERPRET GEOMETRIC TOLERANCING PER: ANSI Y14.5M DIMENSIONS IN INCHES THIRD ANGLE PROJECTION | CAGE CODE | SIZE | DWG. NO. | REV |
| | | FINISH | NOTED | | 1TJ05 | D | EDASM-00265 | 0 |
| | | DO NOT SCALE DRAWING | | | | SCALE: 2:3 | WEIGHT: | SHEET 1 OF 1 |