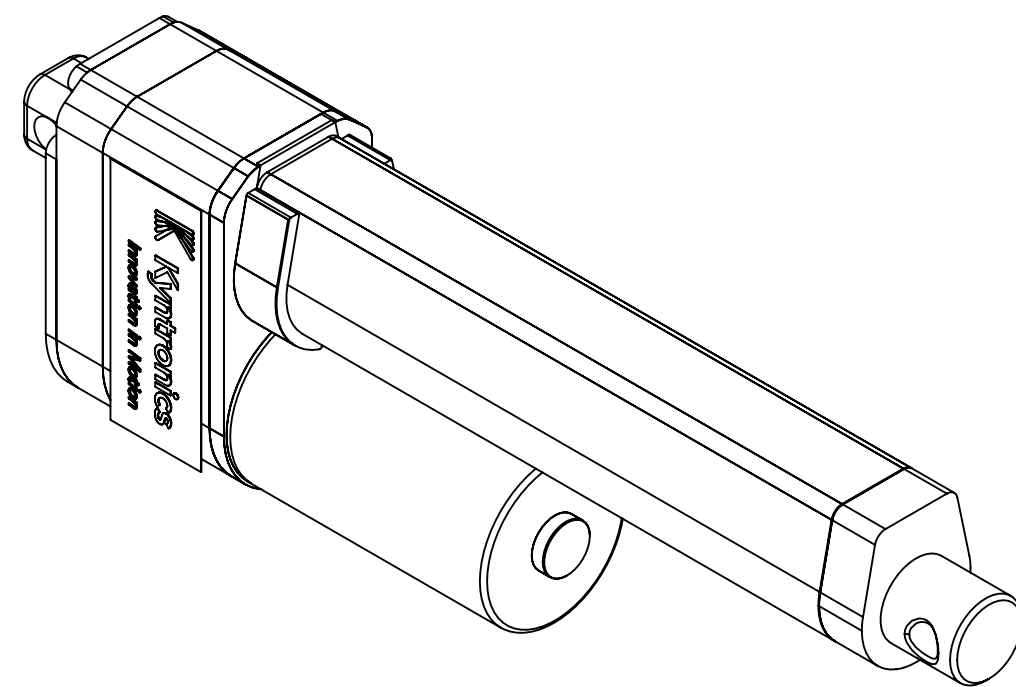


NOTES:

1. MATERIAL:
  - A. ENCLOSURE: ALUMINUM OUTER TUBE. CORROSION PREVENTIVE FINISH.
  - B. BODY: ZINC ALLOY. CORROSION PREVENTIVE FINISH.
2. ELECTRICAL CHARACTERISTICS:
  - A. INPUT VOLTAGE: 12VDC OR 24VDC.
  - B. LIMIT SWITCHES: BUILT IN FOR BOTH ENDS OF TRAVEL.
  - C. EXTEND: +VOLTAGE TO BLACK
  - D. RETRACT: +VOLTAGE TO RED
3. MECHANICAL CHARACTERISTICS:
  - A. SEE TABLE 1 FOR MORE DETAILS.
4. FEEDBACK:
  - A. PULSE GENERATOR OR POTENTIOMETER.
5. TEMPERATURE RANGE:
  - A. OPERATING RANGE: -26°C TO +65°C.
6. IP65 EQUIVALENT

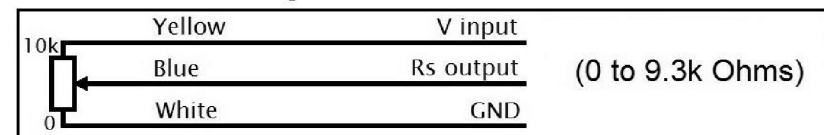
REVISIONS			
REV.	DESCRIPTION	DATE	APPROVED
0	ISSUED	11/18/2016	MEA



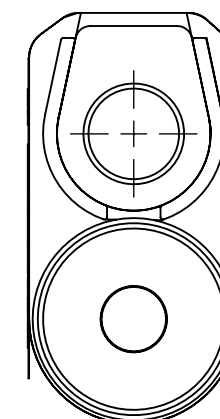
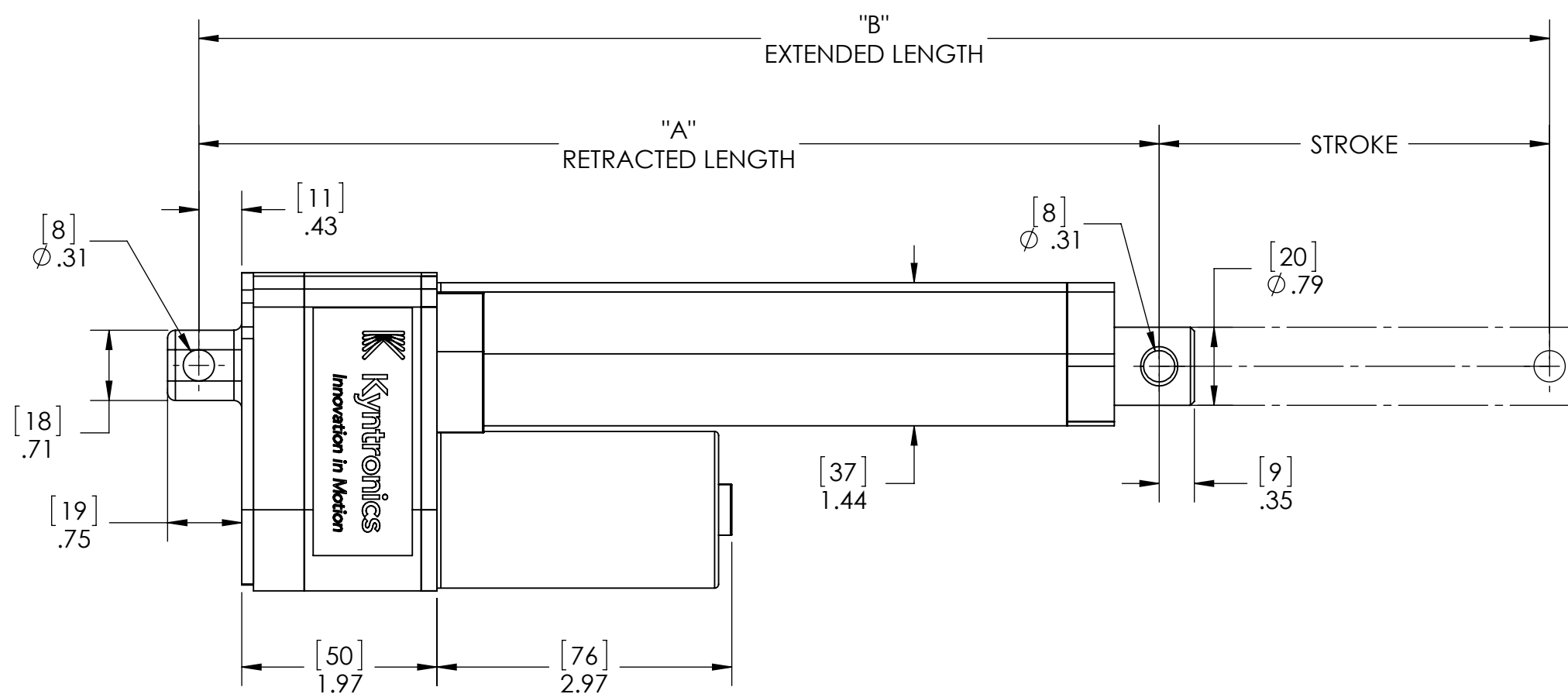
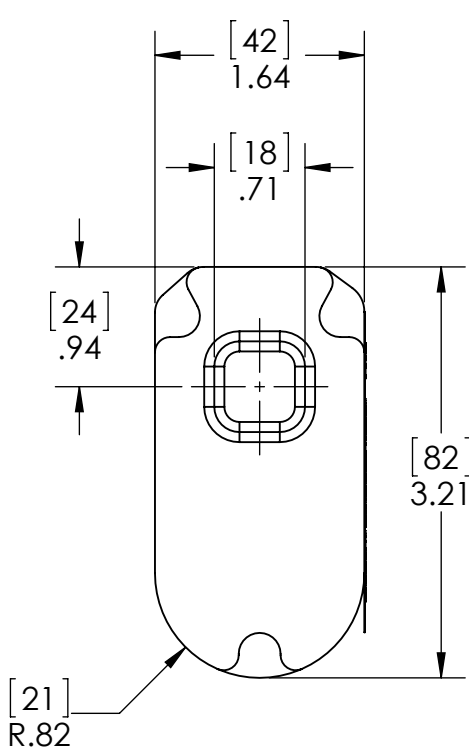
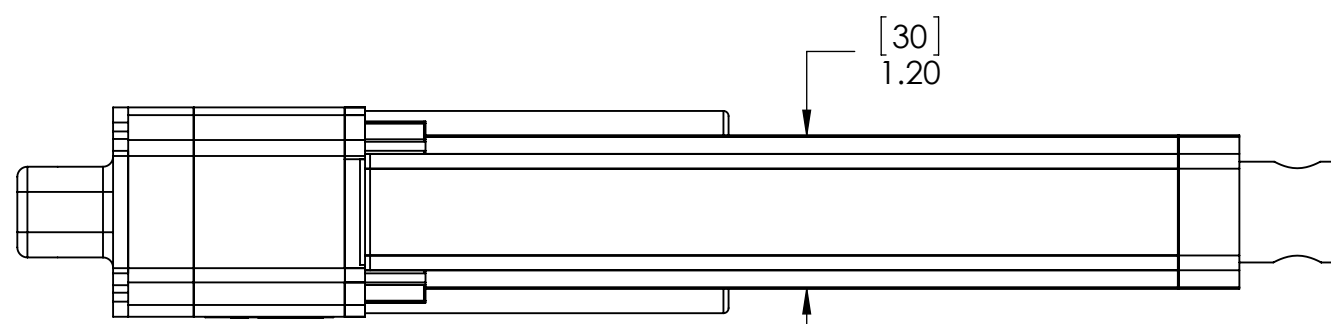
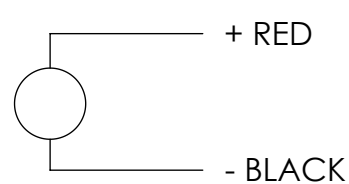
STROKE SPEED (IN/SEC)	OUTPUT FORCE (LBS)
2.0	45
1.0	67
0.59	112
0.35	180
0.24	270

STROKE (IN)	2"	4"	6"	8"	10"	12"
STROKE (MM)	50	100	150	200	250	300
"A"	7.68	9.69	11.69	13.70	15.71	17.72
"B"	9.65	13.62	17.60	21.58	25.55	29.53

Potentiometer Wiring:



MOTOR WIRING



**PROPRIETARY AND CONFIDENTIAL**  
 THE INFORMATION CONTAINED IN THIS DRAWING IS THE SOLE PROPERTY OF KYNTRONICS LLC. ANY REPRODUCTION IN PART OR AS A WHOLE WITHOUT THE WRITTEN PERMISSION OF KYNTRONICS LLC. IS PROHIBITED.

UNLESS OTHERWISE SPECIFIED:	
TOLERANCES	SURFACE FINISH
XX ±.010	125
.XXX ±.005	
.XXXX ±.0015	
ANGLES ±30°	CONCENTRICITY
EDGE BREAKS & RADII	LD./O.D. EACH END: .005 T.I.R. END TO END: .010 T.I.R.
EXTERIOR: .020 MAX. X 45°	DO NOT SCALE DRAWING
INTERIOR: .020 R. MAX.	

**Kyntronics**  
 34700 LAKE LAND BOULEVARD  
 EASTLAKE, OHIO 44095-5223

DRAWN BY:	NAME	DATE	DESC:
JMV	JMV	9/7/16	EMA 0250-L
CHECKED BY:	MEASUREMENT	11/18/16	LINEAR ACTUATOR
APPVD. BY:	MEASUREMENT	11/18/16	
INTERPRET GEOMETRIC TOLERANCING PER: ANSI Y14.5M	CAGE CODE		
DIMENSIONS IN INCHES	ITJ05		
THIRD ANGLE PROJECTION			

SIZE	DWG. NO.	REV
<b>C</b>	EDASM-00278	<b>0</b>
SCALE: 2:3	WEIGHT:	SHEET 1 OF 1