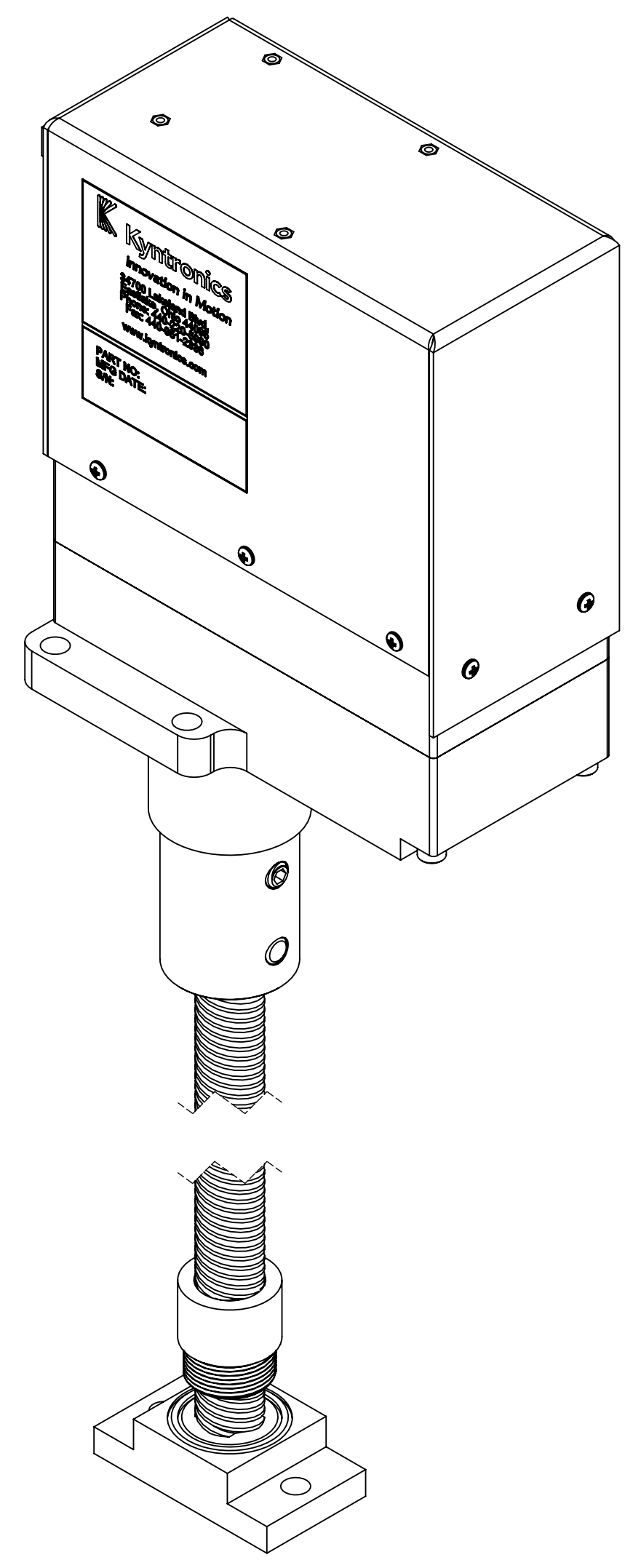
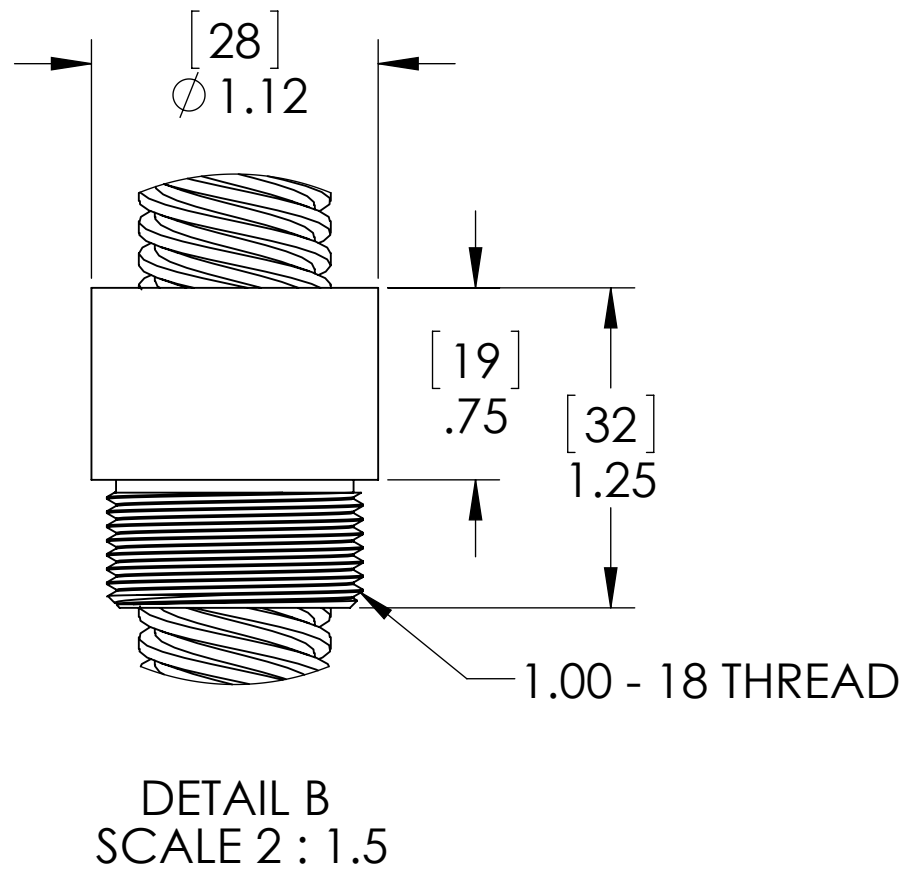
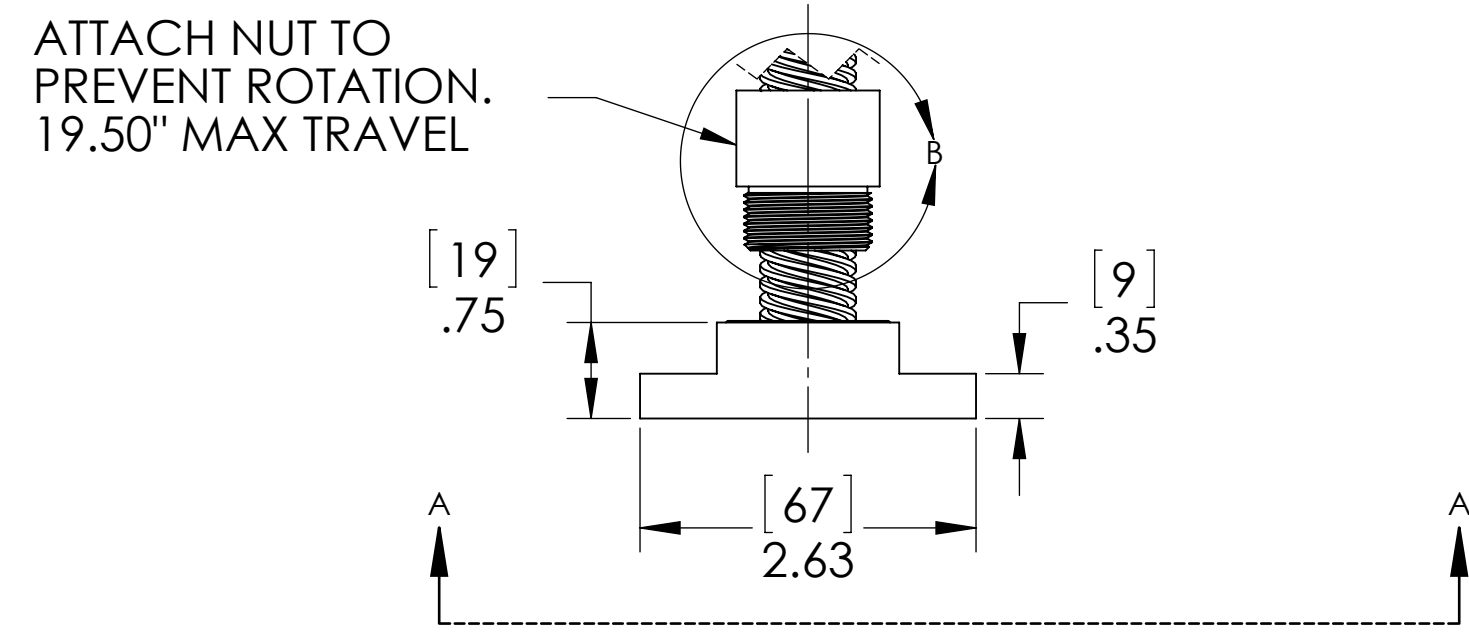
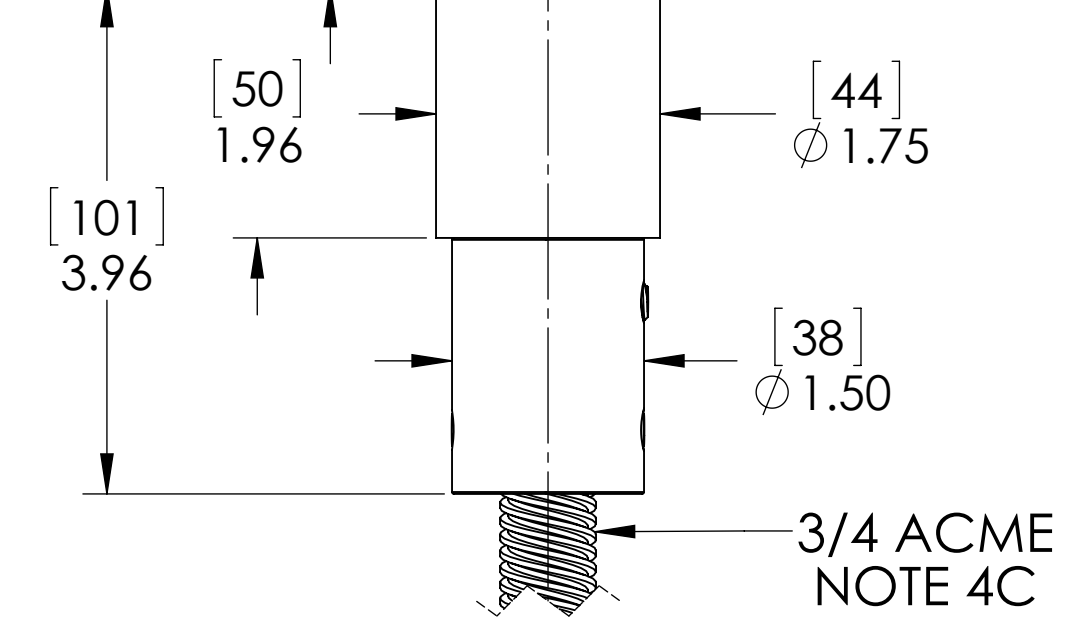
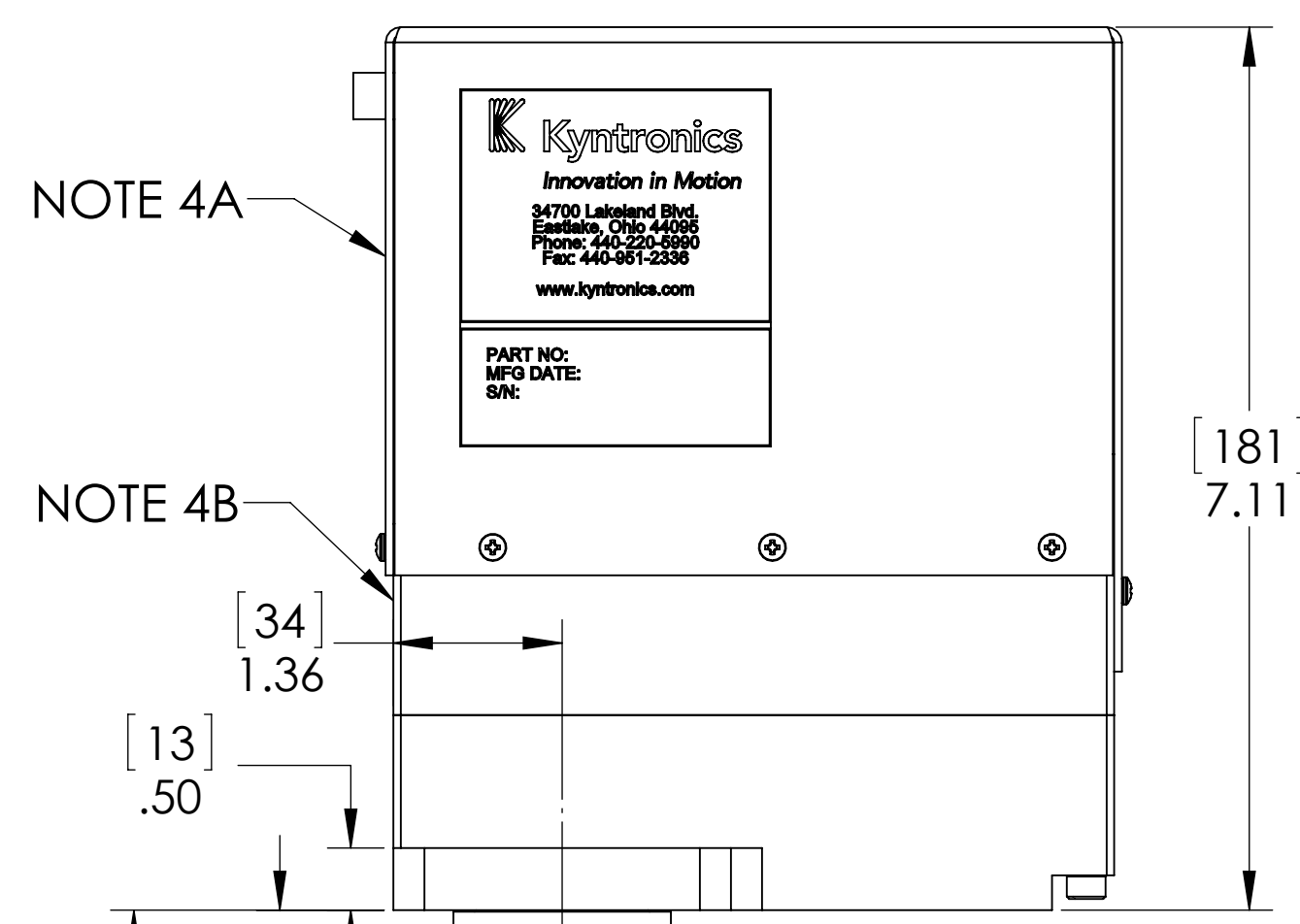
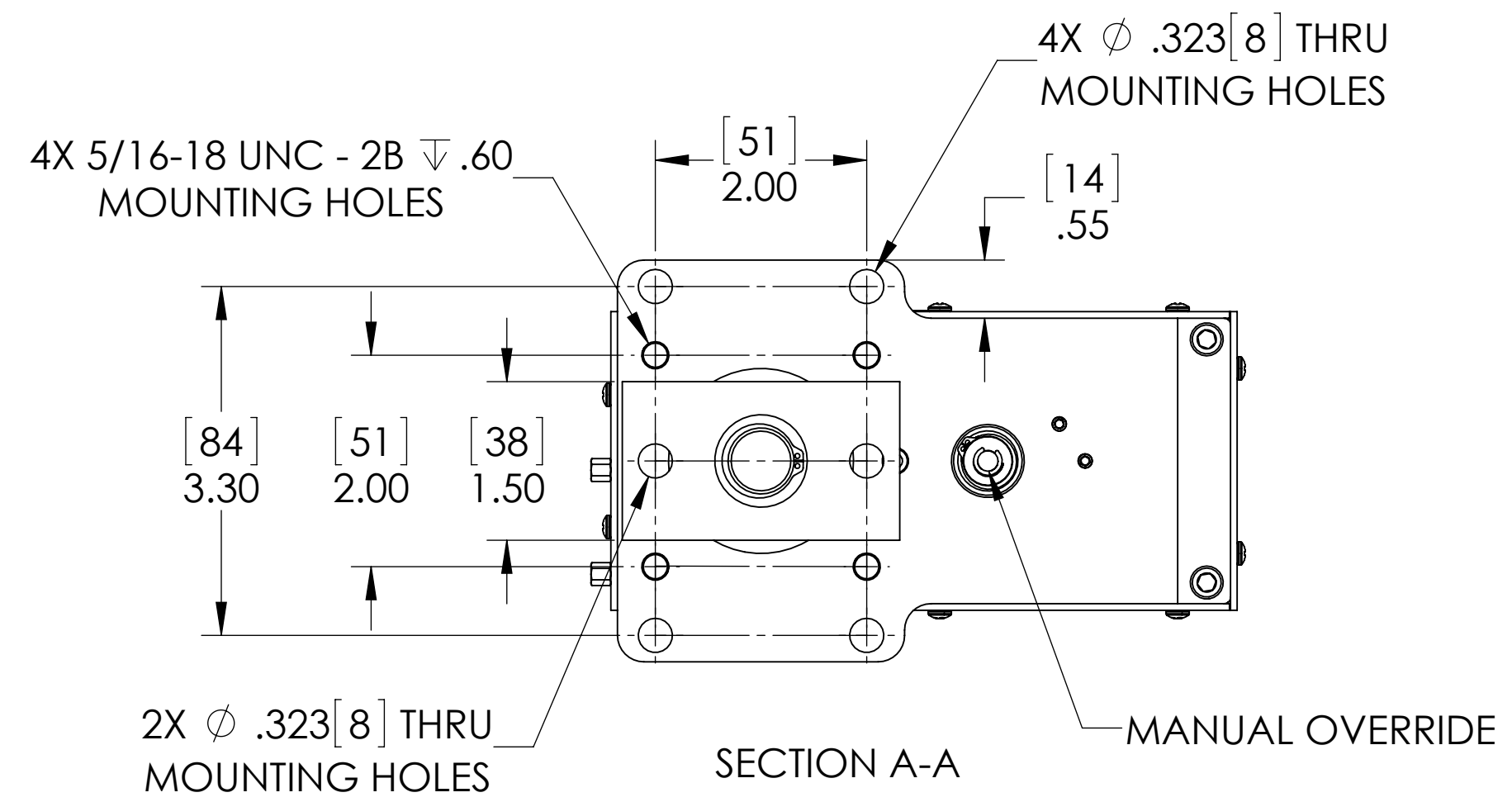
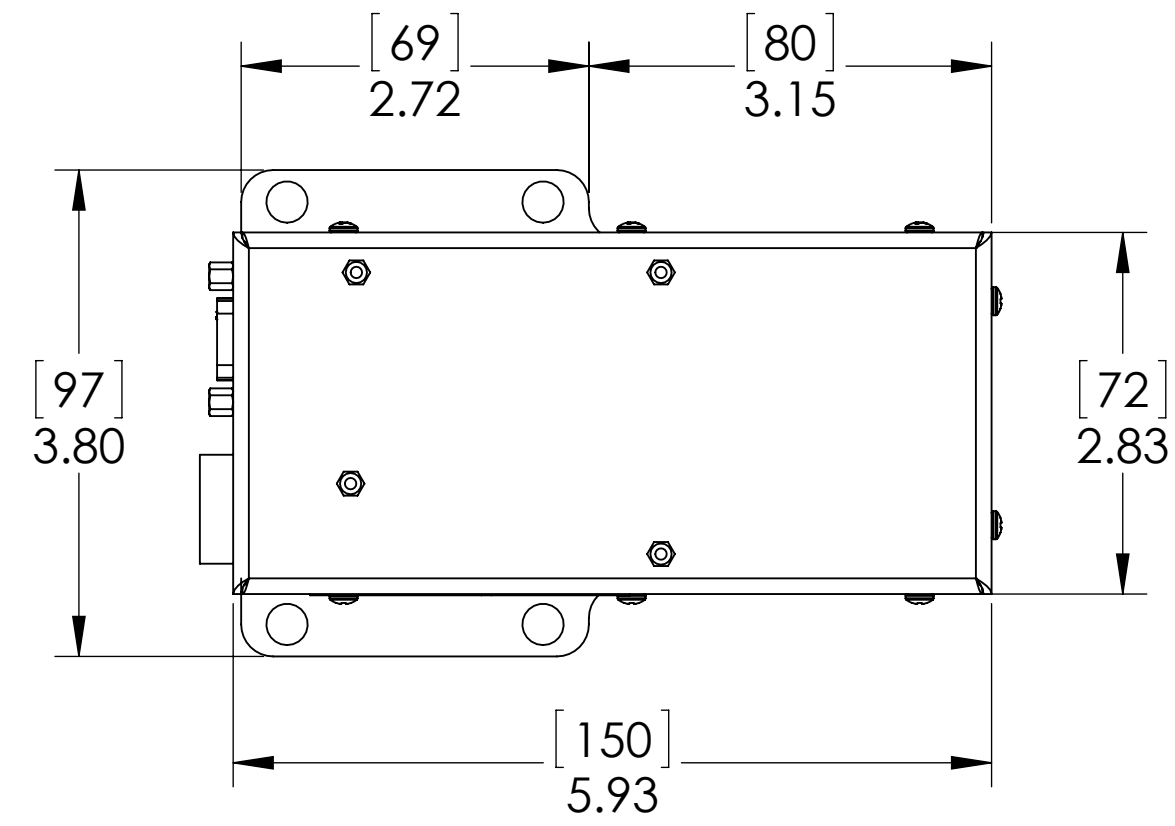


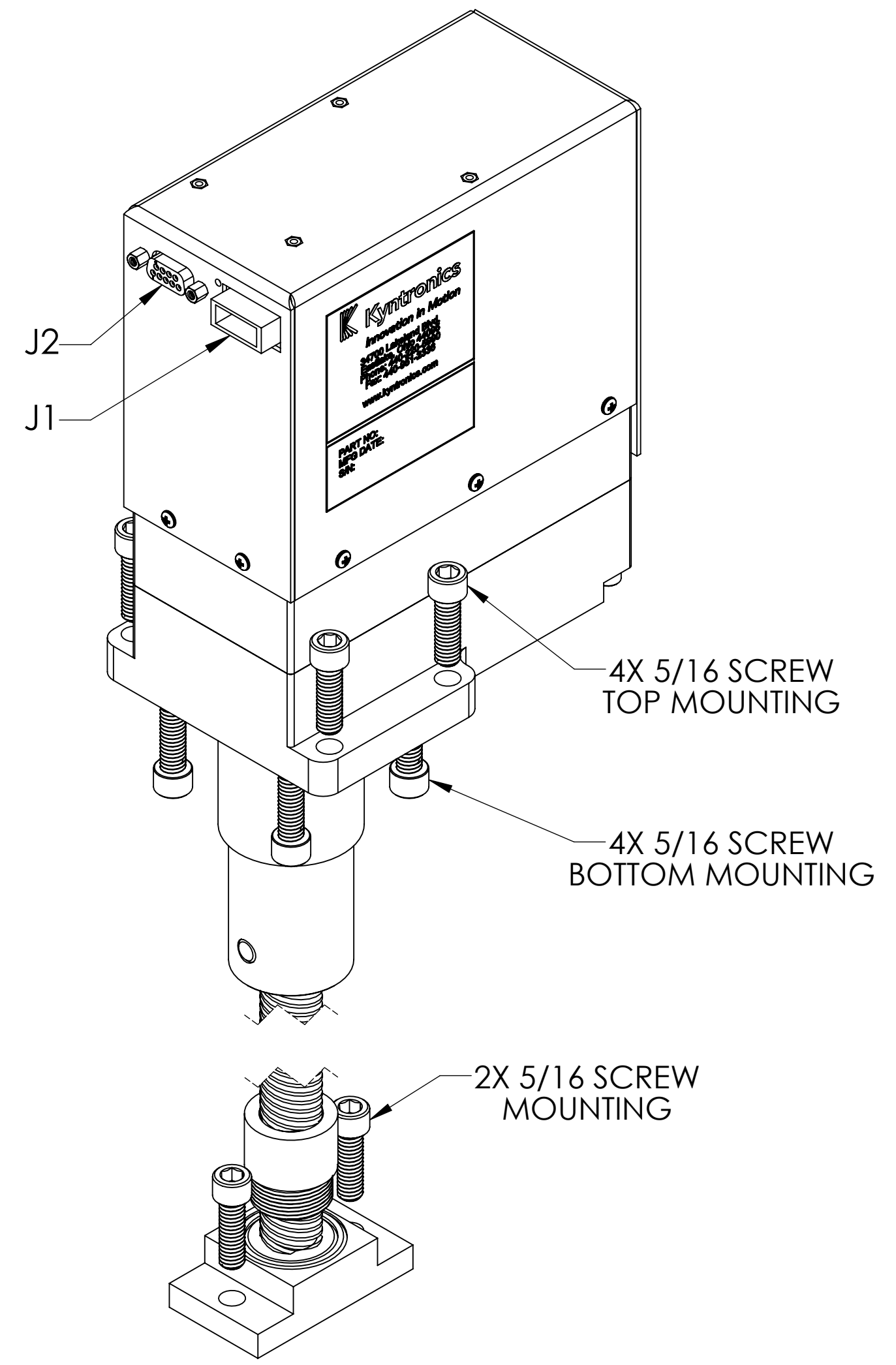
NOTES:

- ELECTROMECHANICAL ACTUATOR CONTAINING BUILT IN CONTROLS.
- COMMUNICATION:
 - J1, 2 WIRE POWERLINE COMMUNICATION
 - J2, MODBUS RTU
- WEIGHT: 10 lbs MAX.
- MATERIAL:
 - ENCLOSURE: 5052-H32, 0.063" AL QQ-A-250/8, CORROSION PREVENTIVE FINISH
 - BODY: 6061-T6 ALUMINUM, CORROSION PREVENTIVE FINISH.
 - SCREW: 304 STAINLESS STEEL.
- CONNECTOR INFORMATION:
 - J1, MATING CONNECTOR: JST/F32FSS-02V-KX, SOCKET CONTACT (JST/SF3F-41T-P2.0) INCLUDED IN KITS.
 - J2, D-SHELL: ALPHA P/N 1737C OR SIMILAR.
- ELECTRICAL CHARACTERISTICS:
 - INPUT VOLTAGE AT THE ACTUATOR INPUT CONNECTOR:
 - MAX VOLTAGE: 33VDC
 - MIN VOLTAGE: 24VDC
- MECHANICAL CHARACTERISTICS:
 - CONTINUOUS LOAD: 400 LBS.
 - MAX LOAD: 800 LBS.
 - ACTUATOR SPEED AT MAX LOAD: 0.50 IN/SEC.
- TEMPERATURE RANGE:
 - OPERATING RANGE: -15C TO +55C.
 - SURVIVING/STORAGE: -55C TO +85C.
- STATUS LED COLOR INDICATION
 - GREEN: GOOD OPERATING CONDITION
 - AMBER: NOT COMMUNICATING ON POWERLINE COMMUNICATION.
 - RED: UNIT NOT GETTING SUFFICIENT POWER OR FAILURE WITH INTERNAL ELECTRONICS.
- ABSOLUTE POSITION CONTROL.

REVISIONS			
REV.	DESCRIPTION	DATE	APPROVED
0	ISSUED	11/18/2016	MEA



STANDARD MOUNTING



<p>PROPRIETARY AND CONFIDENTIAL</p> <p>THE INFORMATION CONTAINED IN THIS DRAWING IS THE SOLE PROPERTY OF KYNTRONICS LLC. ANY REPRODUCTION IN PART OR AS A WHOLE WITHOUT THE WRITTEN PERMISSION OF KYNTRONICS LLC. PROHIBITED.</p>	UNLESS OTHERWISE SPECIFIED:		<p>34700 LAKELAND BOULEVARD EASTLAKE, OHIO 44095-5223</p>	NAME	DATE	<p>DESC: EMA 0800-L LINEAR ACTUATOR</p>		
	TOLERANCES	SURFACE FINISH		DRAWN BY:	JMV		10/19/16	
	.XX ±.010 .XXX ±.005 .XXXX ±.0015 ANGLES ±30'	125		CHECKED BY:				
	EDGE BREAKS & RADII	CONCENTRICITY		APPVD. BY:				
EXTERIOR: .020 MAX. X 45° INTERIOR: .020 R. MAX.	I.D./O.D. EACH END: .005 T.I.R. END TO END: .010 T.I.R.	MATERIAL	NOTED	INTERPRET GEOMETRIC TOLERANCING PER: ANSI Y14.5M DIMENSIONS IN INCHES THIRD ANGLE PROJECTION	CAGE CODE	SIZE	DWG. NO.	REV
		DO NOT SCALE DRAWING	NOTED		1TJ05	D	EDASM-00280	0
				SCALE: 2:3	WEIGHT:	SHEET 1 OF 1		