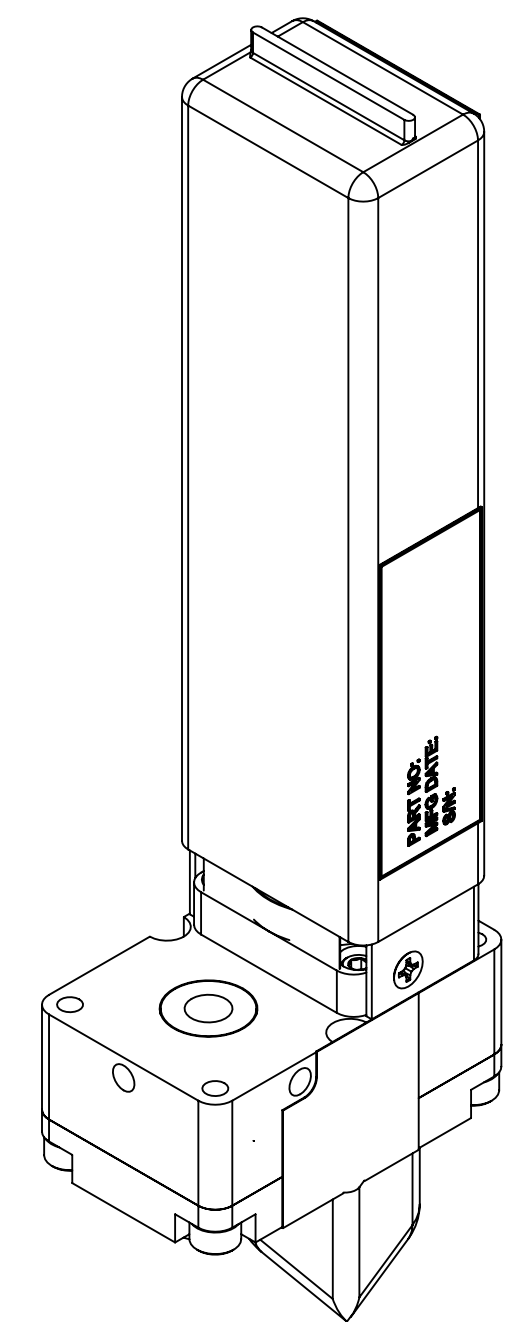
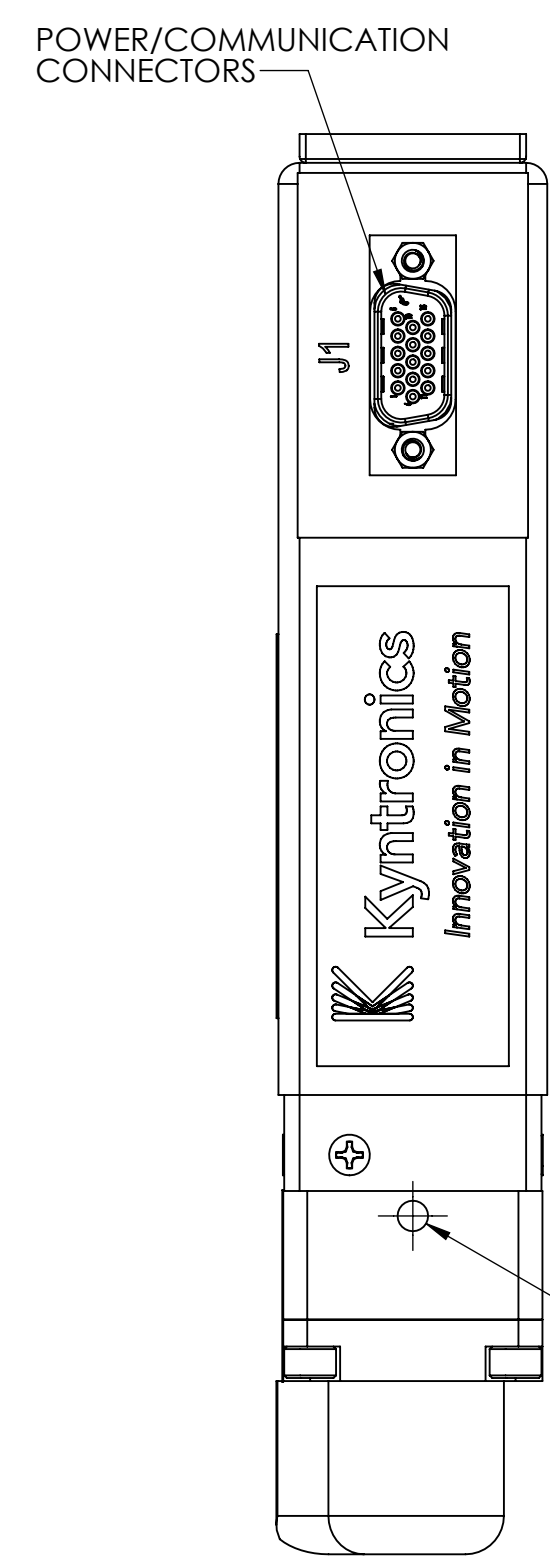
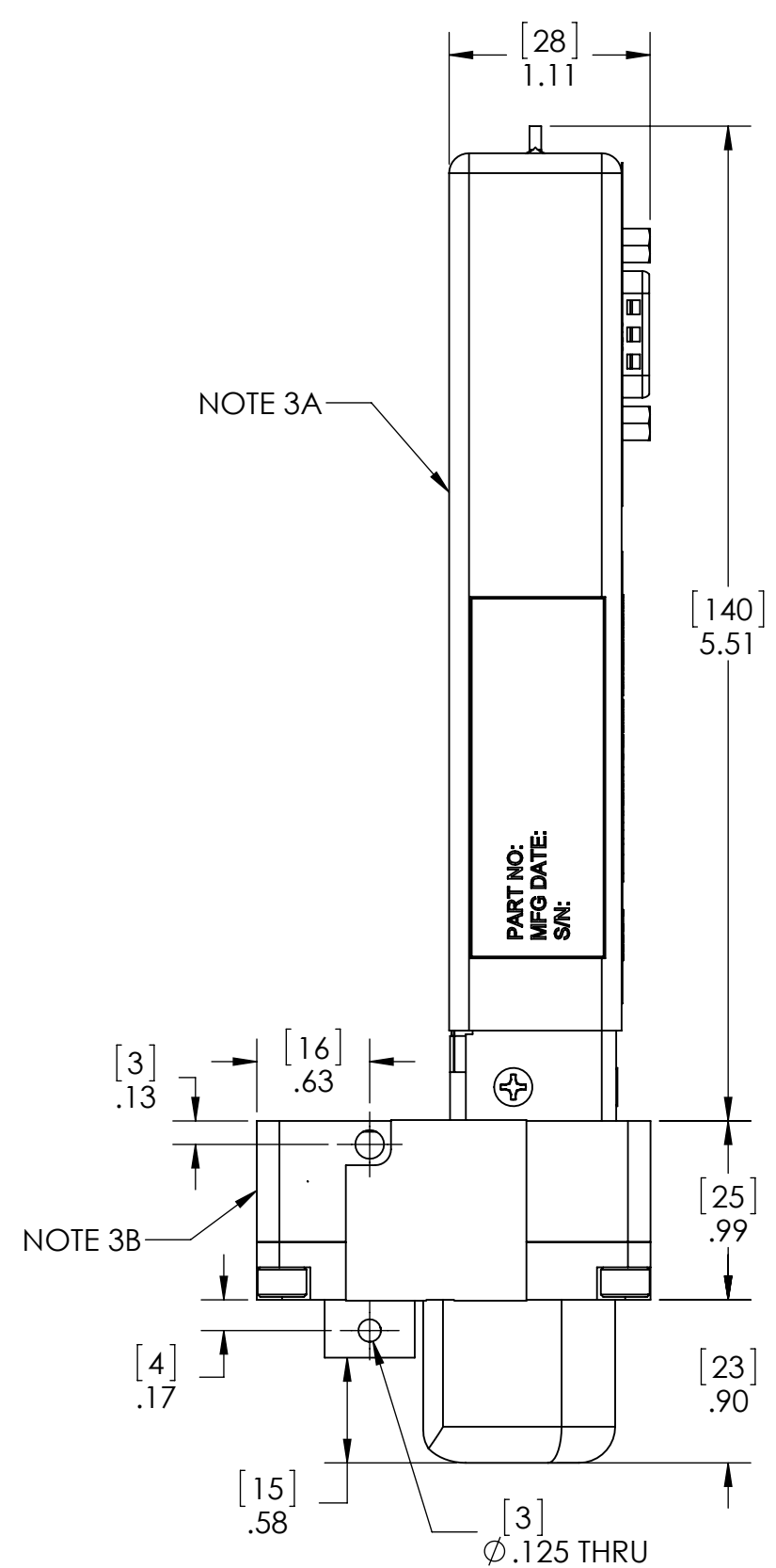
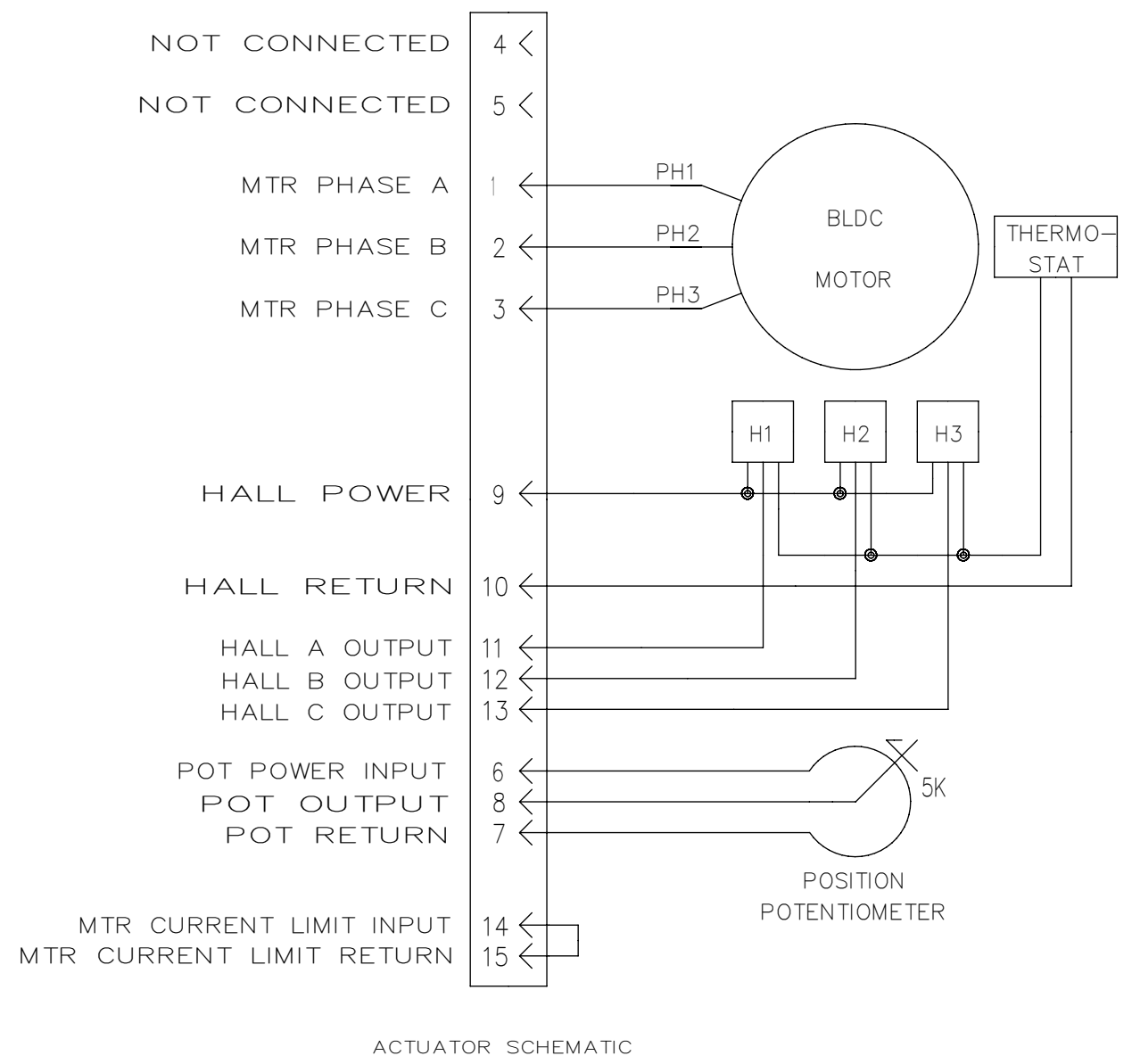
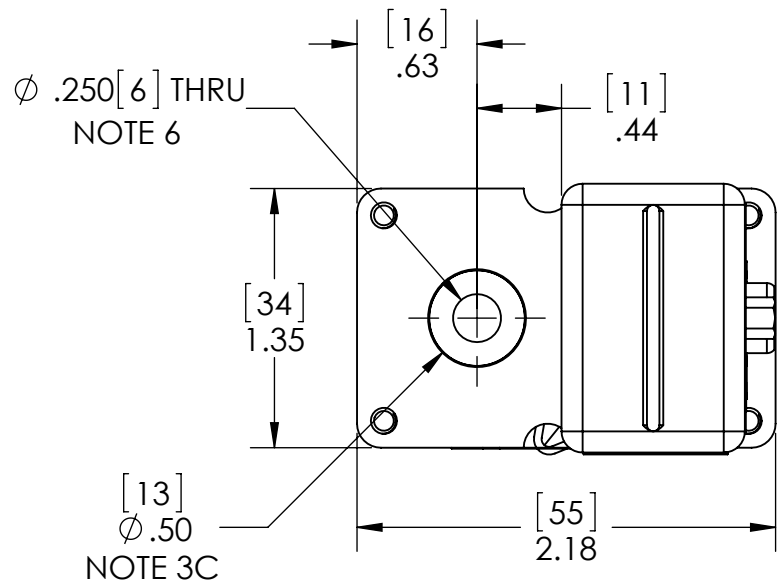


NOTES:

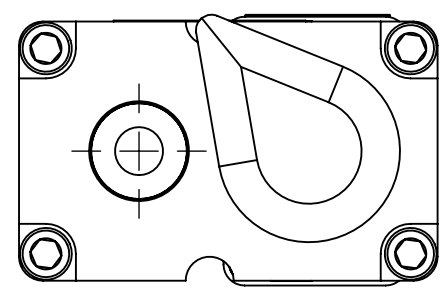
1. FUNCTIONALITY.
 - A. UNIT CONTAINS A THREE PHASE, BRUSHLESS, DC MOTOR WITH HALL EFFECT SENSORS. IT CONTAINS A POTENTIOMETER TO DETERMINE ABSOLUTE POSITION OF ROTATION FOR 18 TURNS. UNIT REQUIRES AN EXTERNAL ACTUATOR CONTROLLER IN ORDER TO OPERATE.
 - B. DUTY CYCLE: 20% FOR A MAXIMUM RUNNING TIME OF 40 SECONDS DURING THE CYCLE.
2. WEIGHT: 1.7 lbs MAX.
3. MATERIAL.
 - A. ENCLOSURE: 5052-H32, 0.040" AL QQ-A-250/8. CORROSION PREVENTIVE FINISH WITH HEAT SHRINK.
 - B. BODY: 6061 ALUMINUM. CORROSION PREVENTIVE FINISH.
 - C. DRIVE BUSHING: AISI 4140 STEEL.
4. CONNECTOR INFORMATION.
 - A. INPUT CONNECTOR: CONEC, DSH1XPXXG04X WITH PINS CONEC, 161C18009X.
 - B. MATING CONNECTOR: AMP 1658681-1 W/ AMP 1658686-2 SOCKET OR EQUIVALENT.
5. ELECTRICAL CHARACTERISTICS.
 - A. SEE TABLE 1 FOR MORE DETAILS.
 - B. INPUT VOLTAGE AT THE ACTUATOR INPUT CONNECTOR:
 1. MAX VOLTAGE: 33VDC.
 2. MIN VOLTAGE: 24VDC.
6. MECHANICAL CHARACTERISTICS:
 - A. CONTINUOUS TORQUE: 5.2 IN-LB.
 - B. MAX TORQUE: 10 IN-LB.
 - C. SPEED AT MAX TORQUE: 75 RPM
7. TEMPERATURE RANGE.
 - A. OPERATING RANGE: -15C TO +55C.
 - B. SURVIVING/STORAGE: -55C TO +85C.

REVISIONS			
REV.	DESCRIPTION	DATE	APPROVED
0	ISSUED	11/18/2016	MEA



4X 10-32 UNF - 2B ∇ .25 [6] BODY MOUNTING HOLES

PIN NUMBER	MAX CURRENT PER PIN	FUNCTIONALITY DESCRIPTION
1	5A	MOTOR PHASE A INPUT, 28V COMMUTATED, DUTY CYCLES APPLY
2	5A	MOTOR PHASE B INPUT, 28V COMMUTATED, DUTY CYCLES APPLY
3	5A	MOTOR PHASE C INPUT, 28V COMMUTATED, DUTY CYCLES APPLY
4	N/A	N/C
5	N/A	N/C
6	50mA	POSITION SENSOR POWER INPUT, 3.3VDC TYP., 50V MAX
7	50mA	POSITION SENSOR INPUT RETURN, 0VDC
8	1mA	POSITION SENSOR INPUT, 0-3.3V FROM PIN 6
9	40mA	HALL SENSOR POWER INPUT, 5VDC TYP., 3-24VDC CAPABLE
10	40mA	HALL SENSOR INPUT RETURN, 0VDC
11	5mA	HALL SENSOR A OUTPUT, OPEN COLLECTOR
12	5mA	HALL SENSOR B OUTPUT, OPEN COLLECTOR
13	5mA	HALL SENSOR C OUTPUT, OPEN COLLECTOR
14	15mA	MOTOR CURRENT LIMIT INPUT, 28VDC OPEN CIRCUIT, UNCONNECTED FOR HIGH DUTY ACTUATORS, JUMPER TO PIN 15 FOR LOW DUTY ACTUATORS.
15	15mA	MOTOR CURRENT LIMIT INPUT RETURN, 0VDC



PROPRIETARY AND CONFIDENTIAL THE INFORMATION CONTAINED IN THIS DRAWING IS THE SOLE PROPERTY OF KYNTRONICS LLC. ANY REPRODUCTION IN PART OR AS A WHOLE WITHOUT THE WRITTEN PERMISSION OF KYNTRONICS LLC. IS PROHIBITED.	UNLESS OTHERWISE SPECIFIED:		34700 LAKELAND BOULEVARD EASTLAKE, OHIO 44095-5223	DRAWN BY: JMV CHECKED BY: MEA APPVD. BY: MEA	NAME: JMV DATE: 10/6/16 11/18/16 11/18/16	DESC: EMA 0010-R ROTARY ACTUATOR	
	TOLERANCES	SURFACE FINISH		INTERPRET GEOMETRIC TOLERANCING PER: ANSI Y14.5M DIMENSIONS IN INCHES THIRD ANGLE PROJECTION	CAGE CODE ITJ05	SIZE: C DWG. NO.: EDASM-00282	REV: 0
	XX ±.010 .XXX ±.005 .XXXX ±.0015 ANGLES ±30°	125/		FINISH: NOTED DO NOT SCALE DRAWING	SCALE: 1:1	WEIGHT:	SHEET 1 OF 1
	EDGE BREAKS & RADII EXTERIOR: .020 MAX. X 45° INTERIOR: .020 R. MAX.	CONCENTRICITY I.D./O.D. EACH END: .005 T.I.R. END TO END: .010 T.I.R.		MATERIAL: NOTED	SCALE: 1:1	WEIGHT:	SHEET 1 OF 1