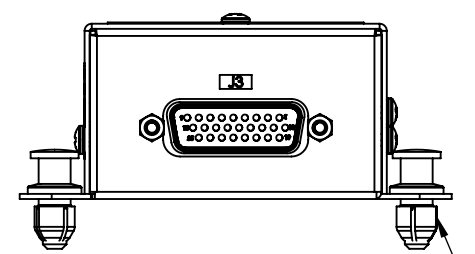
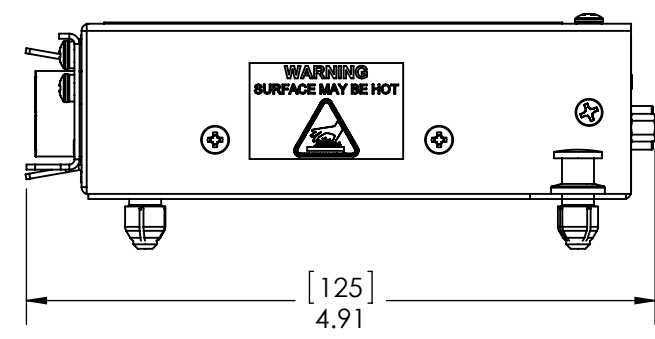
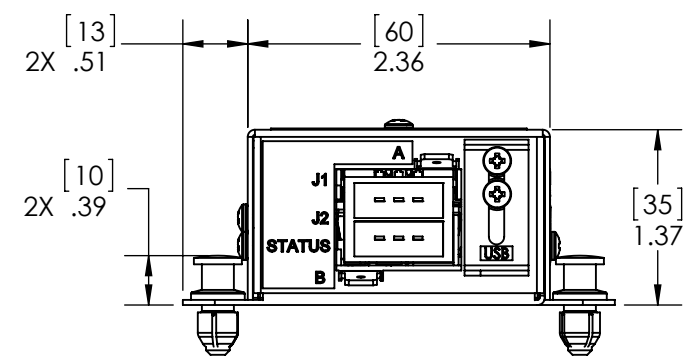
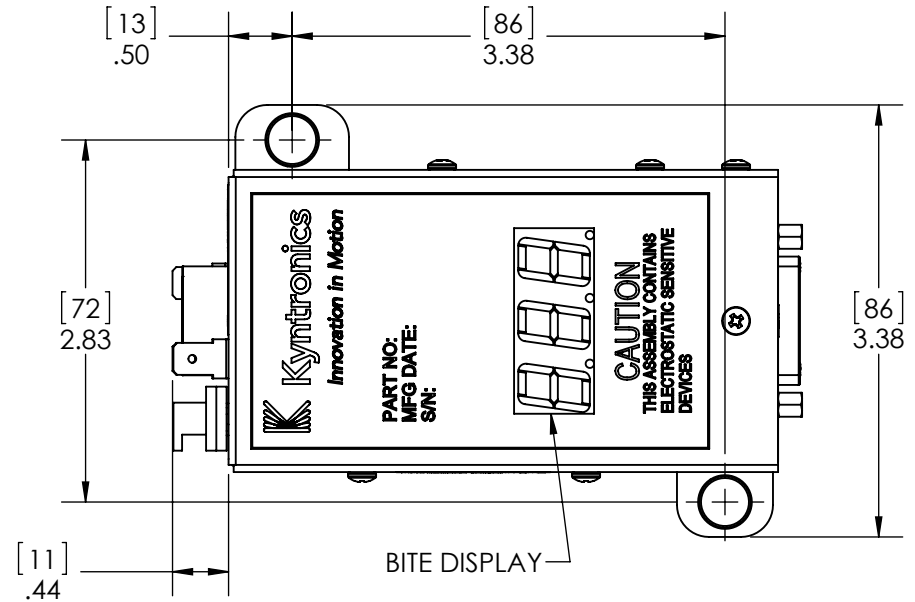
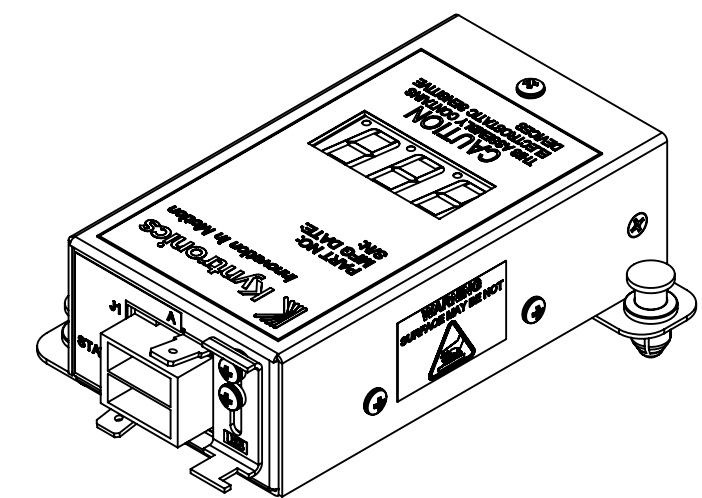


NOTES:

1. THE SCM CONTAINING BUILT IN CONTROLS TO BE USED IN A POWERLINE COMMUNICATION NETWORK ARCHITECTURE.
2. FUNCTIONALITY:
 - A. UNIT RECEIVES POWER AND POWERLINE COMMUNICATION DATA THROUGH A 2-WIRE NETWORK SYSTEM. IT CONTAINS SOFTWARE TO COMMUNICATE AND CONTROL OTHER UNITS.
3. WEIGHT: 0.5 lbs MAX.
4. MATERIAL:
 - A. ENCLOSURE: 5052-H32, 0.040" AI QQ-A-250/8. CORROSION PREVENTIVE FINISH
5. CONNECTOR INFORMATION:
 - A. INPUT/OUTPUT CONNECTOR COMBO P/N (J1, J2): JST/S068-F31MK-GGXYR (LF) (AU).
 - B. J1 MATING CONNECTOR/CONTACT: JST - F31FSS03V-KX/SF3F-41GF-P2.0
 - C. J2 MATING CONNECTOR/CONTACT: JST - F31FSS03V-KY/SF3F-41GF-P2.0
 - D. J3 CONNECTOR: NORCOMP 181-M26-213R141.
 - E. J3 MATING CONNECTOR: CONEC 163X10179X OR EQUIVALENT. CONTACT: CONEC 161C18009X OR EQUIVALENT.
 - F. TAB A AND B MATING CONNECTOR: TYCO 640905-1 OR EQUIVALENT.
 - G. MICRO-USB
6. ELECTRICAL CHARACTERISTICS:
 - A. INPUT VOLTAGE AT THE SCM INPUT CONNECTOR:
 1. MAX VOLTAGE: 33VDC.
 2. MIN VOLTAGE: 24VDC.
7. TEMPERATURE RANGE:
 - A. OPERATING RANGE: -15C TO +55C.
 - B. SURVIVING/STORAGE: -55C TO +85C.
8. STATUS LED COLOR INDICATION
 - A. GREEN: GOOD OPERATING CONDITION
 - B. AMBER: NOT COMMUNICATING ON POWERLINE COMMUNICATION.
 - C. RED: UNIT NOT GETTING SUFFICIENT POWER OR FAILURE WITH INTERNAL ELECTRONICS.
9. INSTALLATION HARDWARE:
 - A. NYLATCH PANEL FASTENERS PLUNGER: SOUTHCO NY-5P-52-4-50.
 - B. NYLATCH PANEL FASTENERS GROMMET: SOUTHCO NY-5G-51-20.

REVISIONS			
REV.	DESCRIPTION	DATE	APPROVED
0	ISSUED	11/18/2016	MEA



(2X Ø.323 ± .002 THRU HOLE IN MATING PART. MATING PART THICKNESS AT HOLE LOCATION: .063 MIN -.125 MAX) SEE NOTE 9

J3 CONNECTOR		
PIN NUMBER	MAX CURRENT PER PIN	FUNCTIONALITY DESCRIPTION
1	0.8A	28VDC, 0.8A, 1A MAX FOR 5 SECONDS
2	10mA	INPUT 1, 10mA, PULL TO GROUND, 28VDC OPEN CIRCUIT
3	1A	OUTPUT 1, OPEN COLLECTOR PULL TO GROUND, 1A MAX
4	1A	OUTPUT 3, OPEN COLLECTOR PULL TO GROUND, 1A MAX
5	1A	OUTPUT 5, OPEN COLLECTOR PULL TO GROUND, 1A MAX
6	1A	OUTPUT 7, OPEN COLLECTOR PULL TO GROUND, 1A MAX
7	40mA	RS485-A
8	40mA	ISOLATED RS485-A
9	1A	ISOLATED RS485, 0V POWER SUPPLY COMMON
10	0.5A	12VDC, 0.5A, 0.6A MAX FOR 5 SECONDS
11	10mA	INPUT 0, 10mA, PULL TO GROUND, 28VDC OPEN CIRCUIT
12	1A	OUTPUT 0, OPEN COLLECTOR PULL TO GROUND, 1A MAX
13	1A	OUTPUT 2, OPEN COLLECTOR PULL TO GROUND, 1A MAX
14	1A	OUTPUT 4, OPEN COLLECTOR PULL TO GROUND, 1A MAX
15	1A	OUTPUT 6, OPEN COLLECTOR PULL TO GROUND, 1A MAX
16	40mA	RS485-B
17	1A	RS485, 0V POWER SUPPLY COMMON
18	40mA	ISOLATED RS485-B
19	0.8A	28VDC, 0.8A, 1A MAX FOR 5 SECONDS
20	10mA	INPUT 2, 10mA, PULL TO GROUND, 28VDC OPEN CIRCUIT
21	10mA	INPUT 3, 10mA, PULL TO GROUND, 28VDC OPEN CIRCUIT
22	10mA	INPUT 4, 10mA, PULL TO GROUND, 28VDC OPEN CIRCUIT
23	10mA	INPUT 2, 10mA, PULL TO GROUND, 28VDC OPEN CIRCUIT
24	11.23 uA/K	ANALOG INPUT, 11.23uA/K OR 0-5V, 1.1K IMPEDANCE
25	1A	COMMON
26	1A	CHASSIS GROUND

PROPRIETARY AND CONFIDENTIAL THE INFORMATION CONTAINED IN THIS DRAWING IS THE SOLE PROPERTY OF KYNTRONICS LLC. ANY REPRODUCTION IN PART OR AS A WHOLE WITHOUT THE WRITTEN PERMISSION OF KYNTRONICS LLC. IS PROHIBITED.	UNLESS OTHERWISE SPECIFIED:		 34700 LAKELAND BOULEVARD EASTLAKE, OHIO 44095-5223	DRAWN BY:	NAME	DATE	DESC: SCM		
	TOLERANCES	SURFACE FINISH		CHECKED BY:	MEAN	11/18/16			
	.XX ±.010 .XXX ±.005 .XXXX ±.0015 ANGLES ±30°	125	APPVD. BY:	MEAN	11/18/16	SIZE		DWG. NO.	REV
	EDGE BREAKS & RADII	CONCENTRICITY	INTERPRET GEOMETRIC TOLERANCING PER: ANSI Y14.5M	CAGE CODE	1TJ05	B		EDASM-00288	0
EXTERIOR: .020 MAX, X 45° INTERIOR: .020 R. MAX.	I.D./O.D. EACH END: .005 T.I.R. END TO END: .010 T.I.R.	DO NOT SCALE DRAWING	THIRD ANGLE PROJECTION	SCALE: 2:3	WEIGHT:	SHEET 1 OF 1			